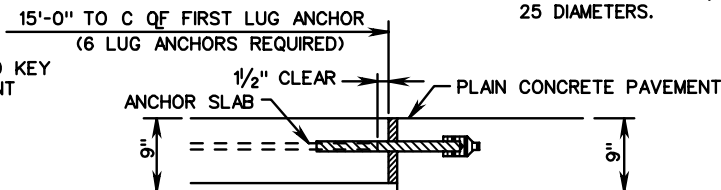
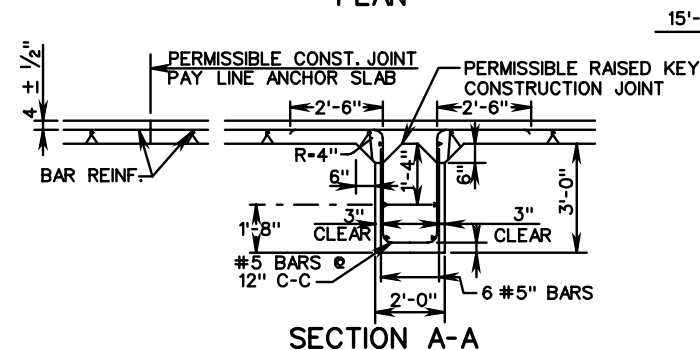


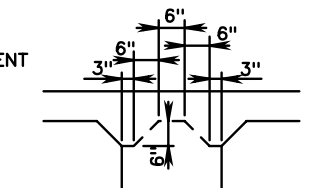
NOTES:  
 CONCRETE FOR LUG ANCHORS SHALL BE POURED AGAINST COMPACTED SUBGRADE. CONCRETE FOR LUGS AND ANCHOR SLAB MAY BE POURED MONOLITHICALLY OR POURED USING RAISED KEY CONSTRUCTION JOINT METHOD.

ADEQUATE CONSOLIDATION OF CONCRETE IN LUGS WILL BE OBTAINED WITHOUT DISPLACING LONGITUDINAL CONTINUOUS STEEL, BY THE USE OF INTERNAL VIBRATION.

WHEN LESS THAN FULL WIDTH LUG AND PAVEMENT SLAB IS PLACED, THE #5 TRANSVERSE STEEL IN THE LUGS SHALL BE EXTENDED, LAPPED AND SPLICED AT LEAST 25 DIAMETERS.

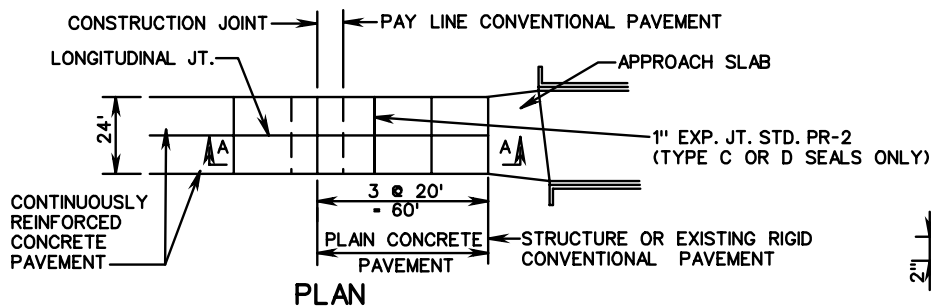


NOTE: FOR DOWEL & JOINT DETAILS SEE DETAIL OF TRANSVERSE EXPANSION JOINT PR-2



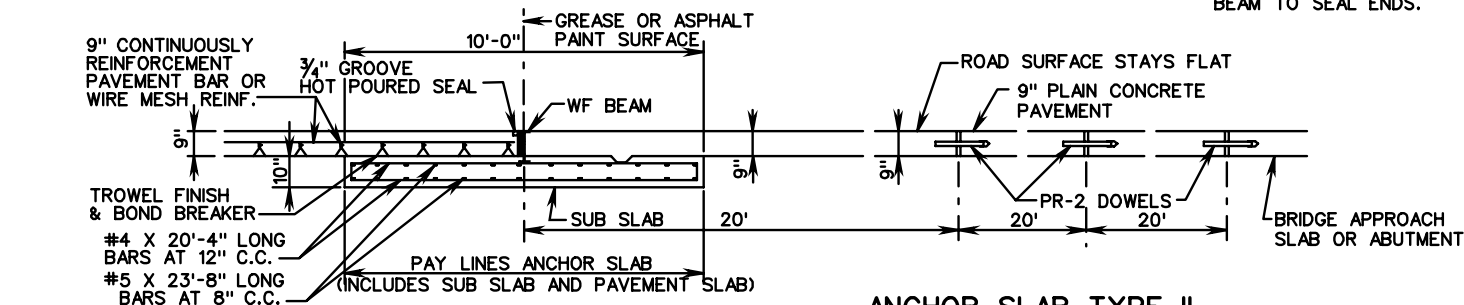
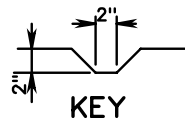
DETAIL-RAISED KEY CONSTRUCTION JOINT

SECTION B-B  
 ANCHOR SLAB TYPE I  
 (FOR USE ADJACENT TO PLAIN CONCRETE PAVEMENT)



WF BEAM (WEIGHT AND DIMENSIONS)					
CRCP THICKNESS	EMBEDMENT IN "SUB SLAB"	WF BEAM SIZE	FLANGE		WEB THICKNESS
			WIDTH	THICKNESS	
9"	6"	14 X 61	10"	5/8"	3/8"

NOTES:  
 CONCRETE SHOULD BE ADEQUATELY VIBRATED UNDER BEAM FLANGE TO ELIMINATE HONEYCOMB.  
 2" MIN. CONCRETE COVER FOR STEEL IN SUB-SLAB.  
 WELDED 1/4" STEEL PLATE AT BOTH ENDS OF WF BEAM TO SEAL ENDS.



■ DENOTES 1" EXPANSION JOINT MATERIAL (POLYSTYRENE OR EQUIVALENT)

SECTION A-A  
 ANCHOR SLAB TYPE II  
 (FOR USE ADJACENT TO PLAIN CONCRETE PAVEMENT)

SPECIFICATION REFERENCE

9" THICK CONTINUOUSLY REINFORCED CONC. PAVE.  
 (FOR USE WITH BAR REINFORCEMENT ONLY)

316

VIRGINIA DEPARTMENT OF TRANSPORTATION

VDOT

ROAD AND BRIDGE STANDARDS

REVISION DATE

SHEET 2 OF 3

301.11