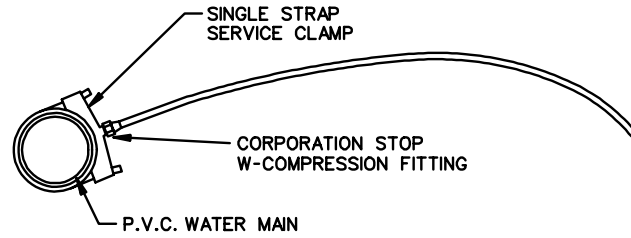
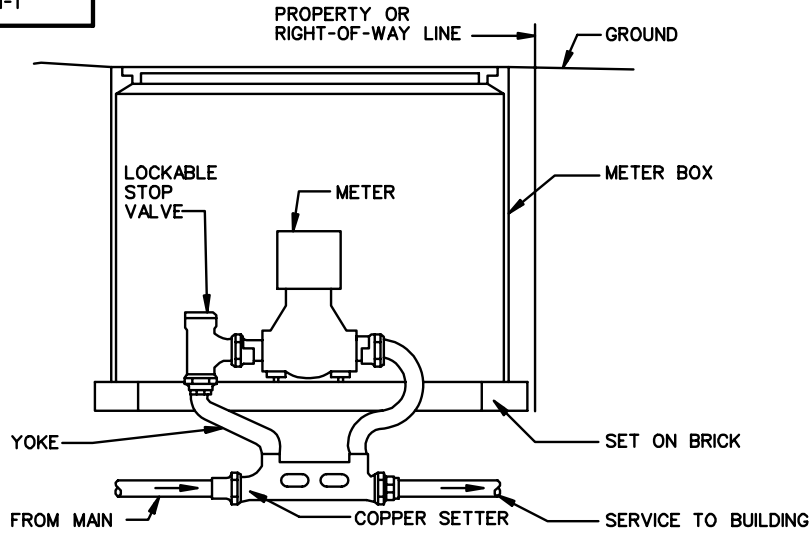
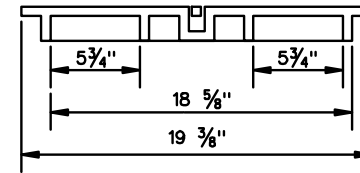


WM-1



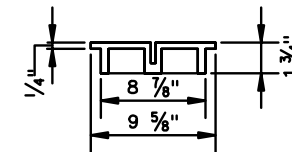
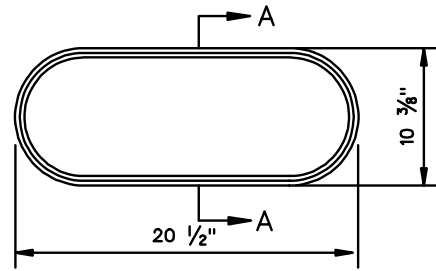
P.V.C. TAP INSTALLATION



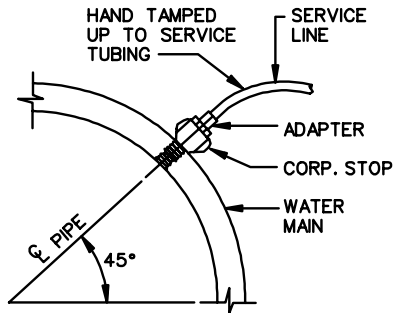
SECTION BB

NOTE:

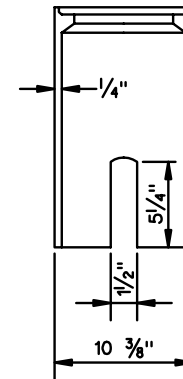
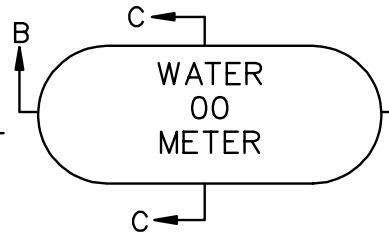
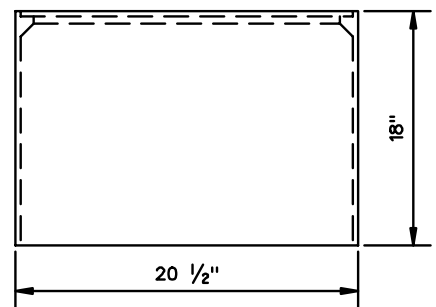
DETAIL IS FOR 5/8" THRU 1" DISC METERS



SECTION CC



C.I./D.I. TAP INSTALLATION



SECTION AA

WATER METER BOX FOR 5/8" THRU 1" METER

CAST IRON SHALL CONFORM TO ASTM A-48 CLASS 30S
ALL COPPER FITTINGS SHALL BE FLARED TYPE



ROAD AND BRIDGE STANDARDS

SHEET 1 OF 1

REVISION DATE

1408.01

WATER METER AND BOX
(WATER SERVICE LINES)

VIRGINIA DEPARTMENT OF TRANSPORTATION

SPECIFICATION REFERENCE