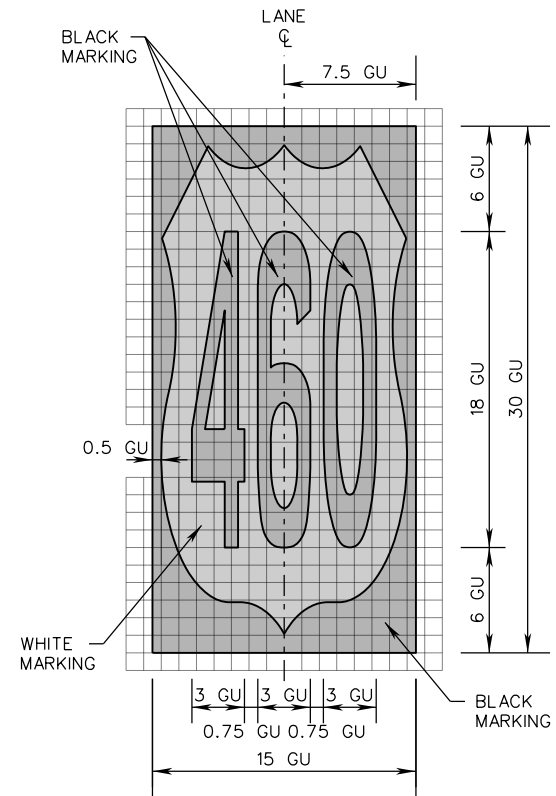


1 OR 2 DIGITS U.S. ROUTE SHIELD ON DARK PAVEMENT



3 DIGITS U.S. ROUTE SHIELD ON LIGHT PAVEMENT

NOTES:

1. SEE TABLE FOR GRID UNIT (GU) SIZE AND SHIELD AND NUMERAL DIMENSIONS.
2. FOR THE NUMBER "1", DIVIDE NUMERAL WIDTH BY 4.

GRID UNIT (GU) SIZE	SHIELD HEIGHT	SHIELD WIDTH		NUMERAL DIMENSIONS	
		2 DIGITS	3 DIGITS	HEIGHT	WIDTH (SEE NOTE 2)
6"	15'-0"	6'-0"	7'-6"	9'-0"	1'-6"
7"	17'-6"	7'-0"	8'-9"	10'-6"	1'-9"
8"	20'-0"	8'-0"	10'-0"	12'-0"	2'-0"

SPECIFICATION REFERENCE

704

A COPY OF THE ORIGINAL SEALED AND SIGNED DRAWING IS ON FILE IN THE CENTRAL OFFICE.
PAVEMENT WORD, SYMBOL, AND ARROW MARKINGS
ROUTE SHIELD DETAILS

VIRGINIA DEPARTMENT OF TRANSPORTATION

VDOT

ROAD AND BRIDGE STANDARDS

REVISION DATE
NEW 01/15

SHEET 13 OF 15

1340.22