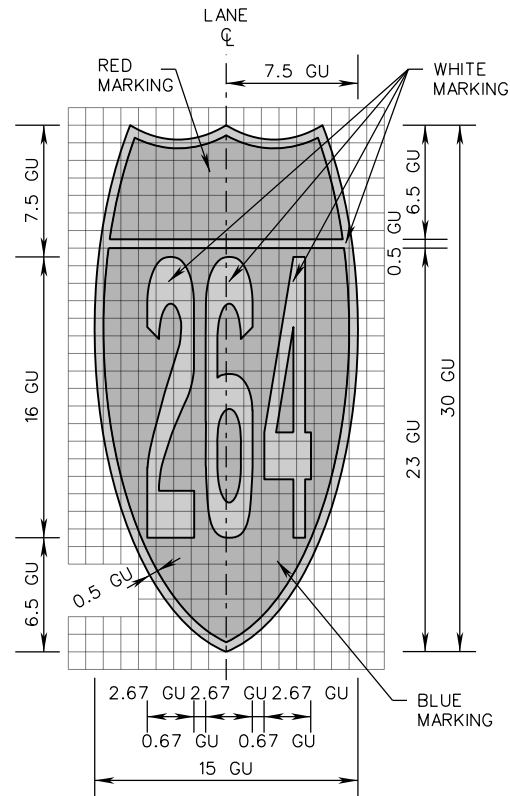


2 DIGITS INTERSTATE SHIELD ON DARK OR LIGHT PAVEMENT



3 DIGITS INTERSTATE SHIELD ON DARK OR LIGHT PAVEMENT

NOTES:

1. SEE TABLE FOR GRID UNIT (GU) SIZE AND SHIELD AND NUMERAL DIMENSIONS.
2. FOR THE NUMBER "1", DIVIDE NUMERAL WIDTH BY 4.

GRID UNIT (GU) SIZE	SHIELD HEIGHT	SHIELD WIDTH		NUMERAL DIMENSIONS	
		2 DIGITS	3 DIGITS	HEIGHT	WIDTH (SEE NOTE 2)
6"	15'-0"	6'-0"	7'-6"	8'-0"	1'-4"
7"	17'-6"	7'-0"	8'-9"	9'-4"	1'-6 $\frac{3}{4}$ "
8"	20'-0"	8'-0"	10'-0"	10'-8"	1'-9 $\frac{1}{2}$ "



ROAD AND BRIDGE STANDARDS

A COPY OF THE ORIGINAL SEALED AND SIGNED DRAWING IS ON FILE IN THE CENTRAL OFFICE.
PAVEMENT WORD, SYMBOL, AND ARROW MARKINGS
ROUTE SHIELD DETAILS

VIRGINIA DEPARTMENT OF TRANSPORTATION

SPECIFICATION REFERENCE

704

SHEET 12 OF 15 REVISION DATE
 1340.21 NEW 01/15