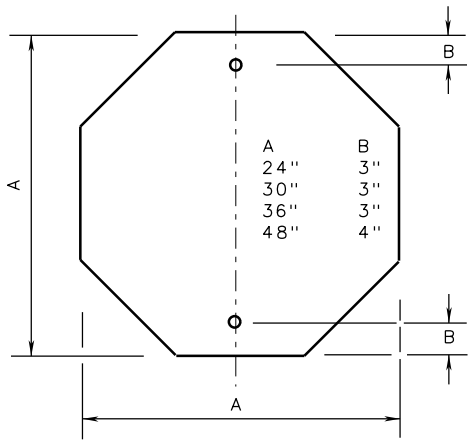
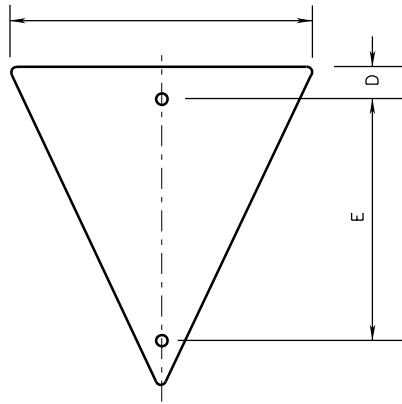


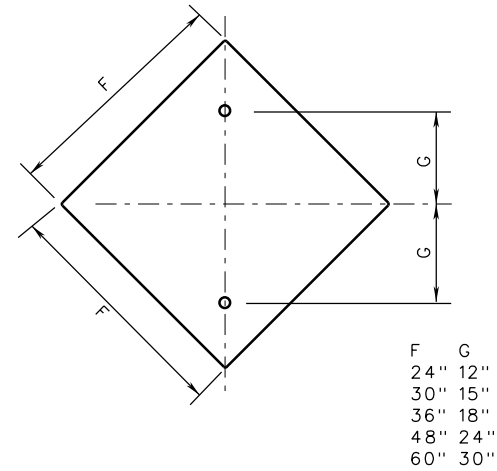
PRS-1



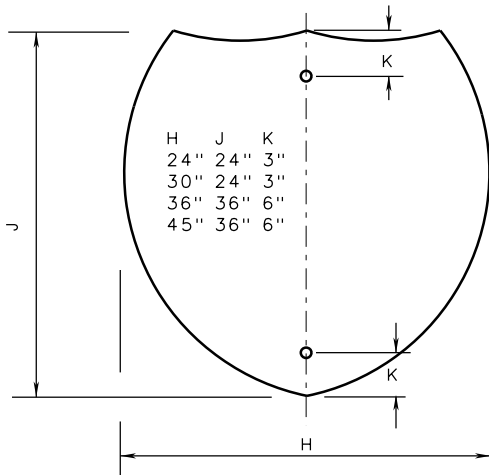
OCTAGON



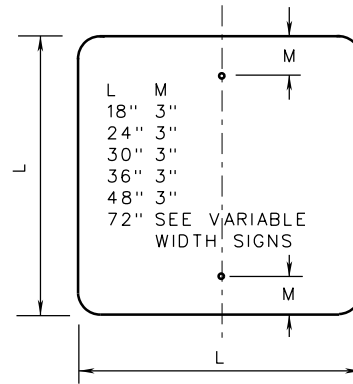
EQUILATERAL TRIANGLE



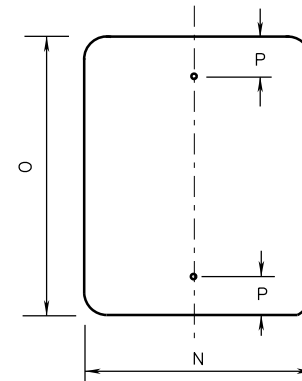
DIAMOND



INTERSTATE SHIELD



SQUARE



VERTICAL RECTANGLE

NOTE:

ALL HOLES SHALL BE 7/16" IN DIAMETER.



ROAD AND BRIDGE STANDARDS

PUNCHING REQUIREMENTS FOR SIGN PANELS

SINGLE POST INSTALLATIONS

VIRGINIA DEPARTMENT OF TRANSPORTATION

SPECIFICATION REFERENCE

701

SHEET 1 OF 2

REVISION DATE

1326.10