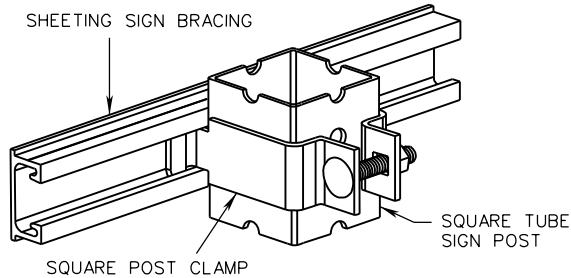
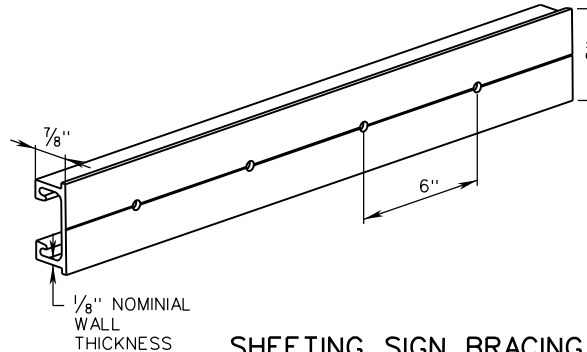


STP-1



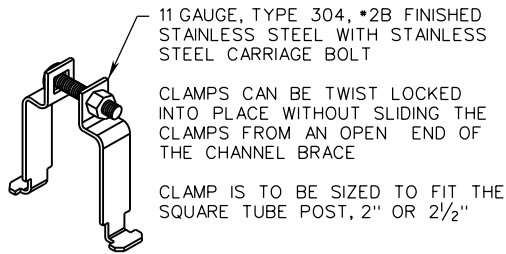
**SQUARE POST CLAMP & BRACE
(CONNECTING JUNCTION)**



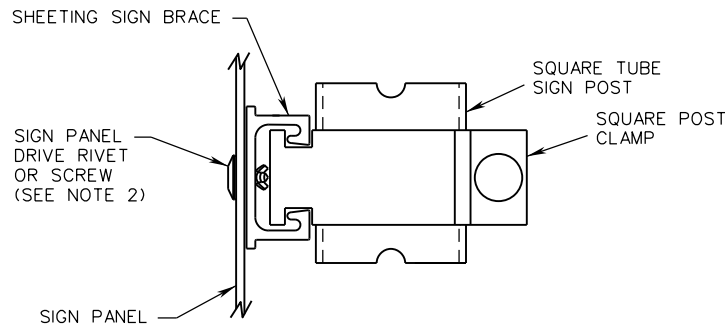
SHEETING SIGN BRACING

ALUMINUM SIGN BRACING 2" MOUNTING SURFACE x 7/8" DEPTH x 1/8" NOMINAL WALL THICKNESS

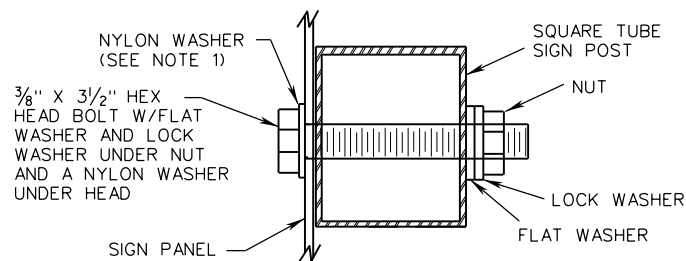
6061-T6 ALUMINUM ALLOY, PUNCHED WITH 3/16" DIAMETER HOLES ON 6" CENTERS FOR ATTACHMENT OF SIGN SUBSTRATE USING SIGN PANEL 3/16" DRIVE RIVETS, OR 3/8" DIAMETER HOLES ON 12" CENTERS WHEN USING 3/8" DRIVE RIVETS.



SQUARE POST CLAMP DETAIL



**SIGN PANEL ATTACHMENT DETAILS
FOR SIGN POSTS REQUIRING BRACING**



**SIGN PANEL ATTACHMENT DETAILS
FOR SIGN POSTS NOT REQUIRING BRACING**

NOTES:

1. NYLON WASHER SHALL BE 1/16" THICK MINIMUM WITH AN OUTSIDE DIAMETER OF 1" AND AN INSIDE DIAMETER OF 7/16".
2. DRIVE RIVET SHALL BE 3/16" OR 3/8" ALUMINUM FLAT HEAD RIVET WITH NYLON OR RUBBER WASHER.
3. THE HEAD OF ALL DRIVE RIVETS AND HEX HEAD BOLTS SHALL BE POWDER COATED TO MATCH THE COLOR OF THE SIGN SHEETING.
4. DRIVE RIVET SHALL NOT BE USED FOR SIGNS WITHOUT BRACING.

A COPY OF THE ORIGINAL SEALED AND SIGNED DRAWING IS ON FILE IN THE CENTRAL OFFICE.

**SQUARE TUBE SIGN POST
SIGN BRACING AND SIGN PANEL ATTACHMENT DETAILS**

VIRGINIA DEPARTMENT OF TRANSPORTATION

SPECIFICATION REFERENCE

700



ROAD AND BRIDGE STANDARDS

SHEET 10 OF 12 REVISION DATE
1321.19 NEW 01/15