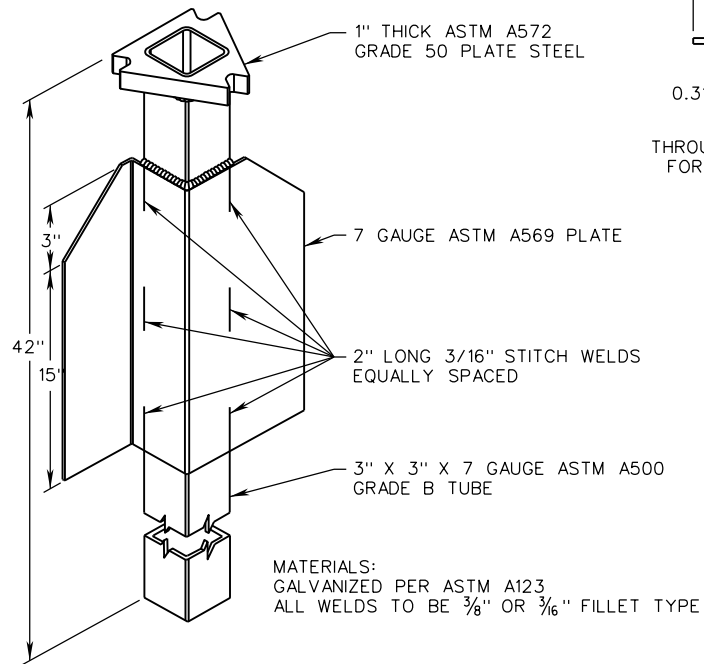
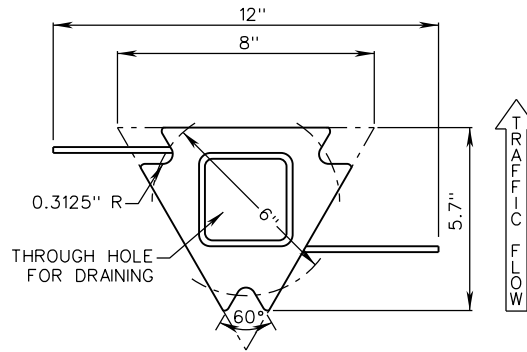


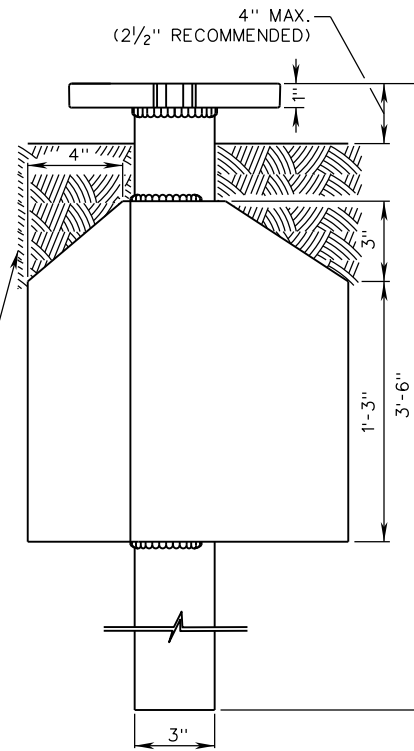
STP-1



FOUNDATION TYPE C



DIRECT DRIVEN SOIL INSTALLATION.
INSTALL WITH THE WIDEST BEARING
SURFACE OF THE STABILIZING WING
PARALLEL WITH THE FACE OF THE SIGN.



8" TRIANGULAR MULTI-DIRECTIONAL
COMBINATION ANCHOR/SLIP BASE PLATE - SOIL



ROAD AND BRIDGE STANDARDS

A COPY OF THE ORIGINAL SEALED AND SIGNED DRAWING IS ON FILE IN THE CENTRAL OFFICE.

SQUARE TUBE SIGN POST

SPECIFICATION
REFERENCE

SHEET 6 OF 12

REVISION DATE

FOUNDATION TYPE C DETAILS

700

1321.15

NEW 01/15

VIRGINIA DEPARTMENT OF TRANSPORTATION