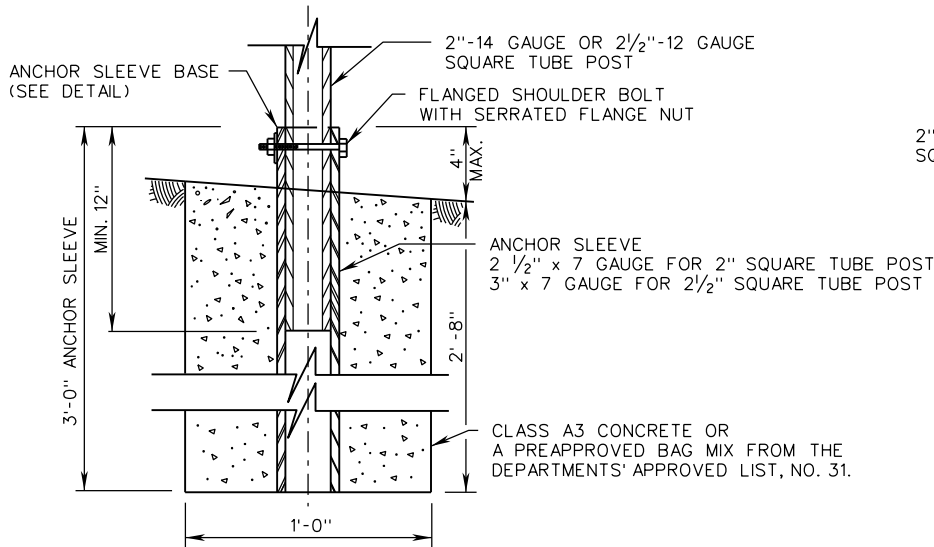
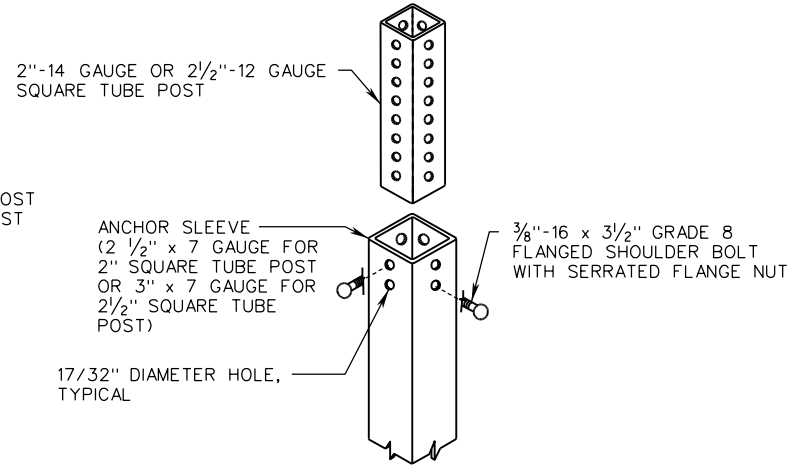


STP-1



FOUNDATION TYPE A



ANCHOR SLEEVE BASE DETAIL

A COPY OF THE ORIGINAL SEALED AND SIGNED DRAWING IS ON FILE IN THE CENTRAL OFFICE.

SQUARE TUBE SIGN POST

FOUNDATION TYPE A DETAILS

VIRGINIA DEPARTMENT OF TRANSPORTATION

SPECIFICATION REFERENCE

700



ROAD AND BRIDGE STANDARDS

SHEET 4 OF 12

REVISION DATE

1321.13

NEW 01/15