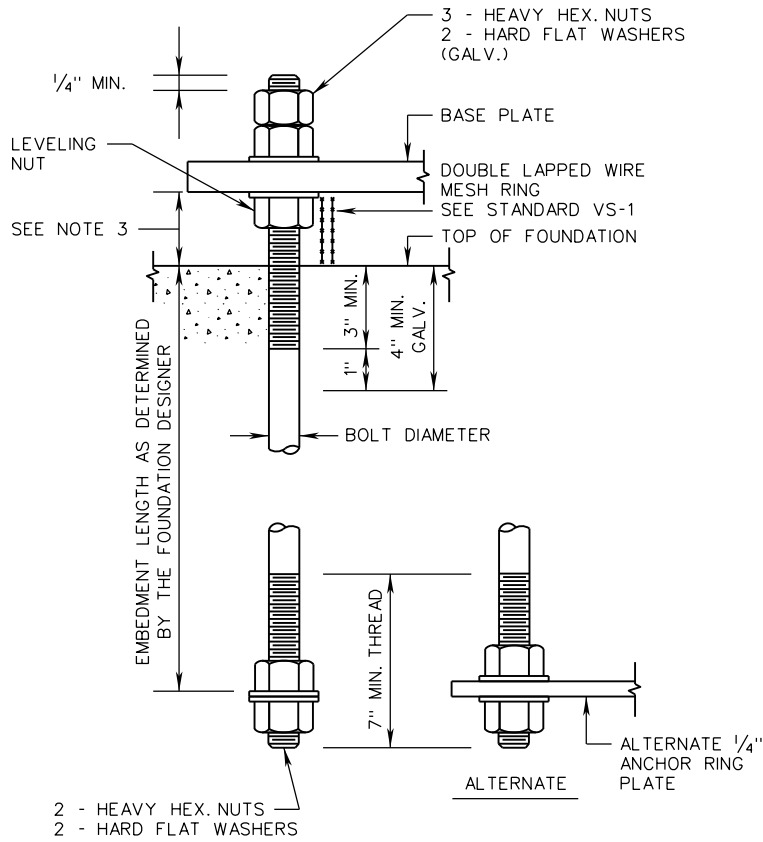
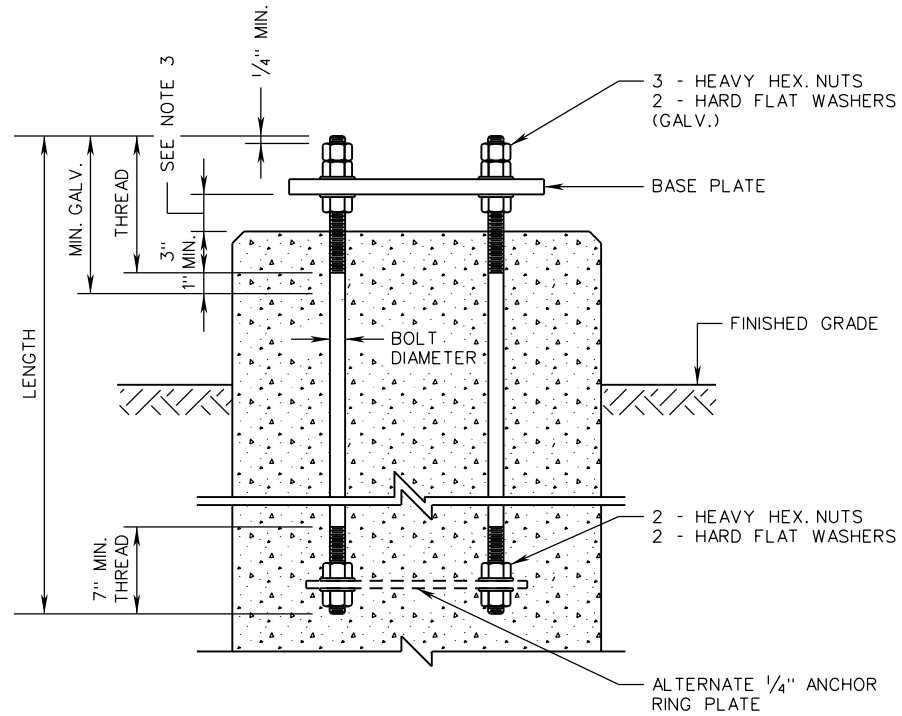


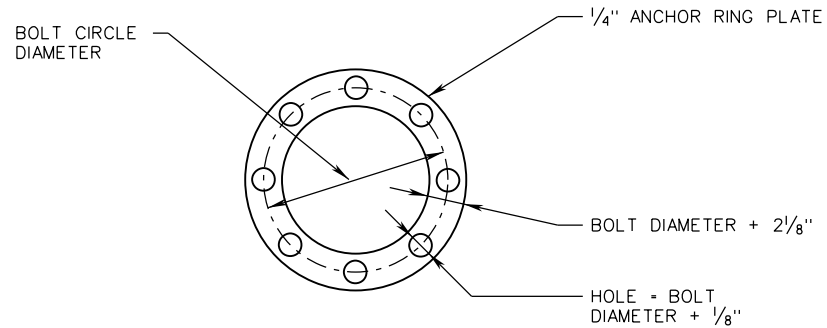
AB-1



ANCHOR BOLT DETAIL



ANCHORAGE DETAIL



ALTERNATE ANCHOR RING PLATE DETAIL

NOTES:

1. PROVIDE 5 NUTS AND 4 WASHERS PER ANCHOR BOLT. SEE SPECIFICATIONS FOR NUT INSTALLATION PROCEDURE.
2. CONDUITS AND REINFORCING STEEL NOT SHOWN FOR CLARITY.
3. DISTANCE BETWEEN BOTTOM OF BASE PLATE AND TOP OF FOUNDATION SHALL BE NO GREATER THAN THE DIAMETER OF ANCHOR BOLT PLUS ONE INCH.
4. THIS STANDARD DOES NOT APPLY TO PEDESTAL POLES (STANDARD PF-2) OR CONVENTIONAL LIGHT POLES (STANDARD LP-1, LP-2) OR OTHER STRUCTURES ON BREAKAWAY TRANSFORMER BASES.

A COPY OF THE ORIGINAL SEALED AND SIGNED DRAWING IS ON FILE IN THE CENTRAL OFFICE.



ROAD AND BRIDGE STANDARDS

SHEET 1 OF 1

REVISION DATE

1302.50

NEW 07/16

**ANCHOR BOLTS
INSTALLATION DETAILS**

VIRGINIA DEPARTMENT OF TRANSPORTATION

SPECIFICATION
REFERENCE

700