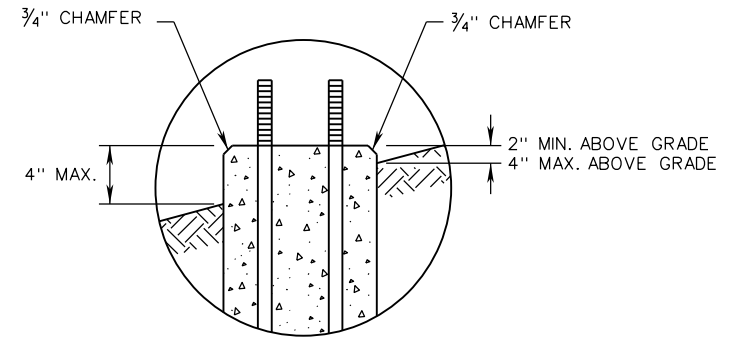
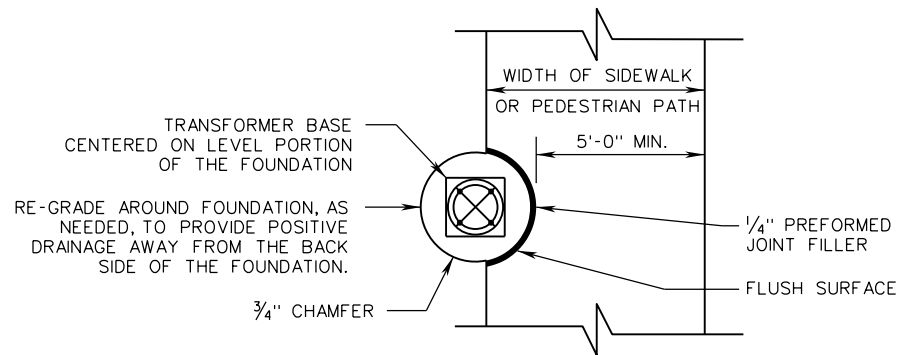


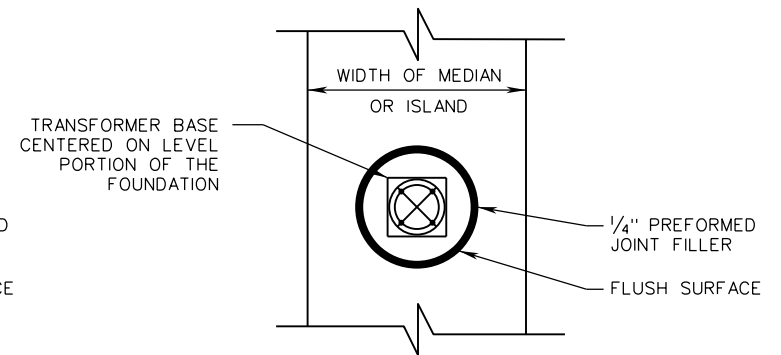
**DETAIL A**  
**SIDEWALK OR CONCRETE MEDIAN/ISLAND**



**DETAIL B**  
**BREAKAWAY BASE**



**PLAN VIEW**  
**OF DETAIL A**  
**AT SIDEWALK**



**PLAN VIEW**  
**OF DETAIL A**  
**AT CONCRETE MEDIAN/ISLAND**

**NOTES:**

1. WHEN FOUNDATION IS ADJACENT TO THE BACK EDGE OF SIDEWALK BUT NOT WITHIN THE SIDEWALK THE TOP OF THE FOUNDATION SHALL BE ELEVATED 2 INCHES MINIMUM ABOVE THE SIDEWALK GRADE.
2. ROUND FOUNDATIONS ARE SHOWN, HOWEVER SQUARE FOUNDATIONS ARE ACCEPTABLE AND SHALL FOLLOW THE SAME REQUIREMENTS.

A COPY OF THE ORIGINAL SEALED AND SIGNED DRAWING IS ON FILE IN THE CENTRAL OFFICE.

SPECIFICATION REFERENCE  700	<h2 style="margin: 0;">PEDESTAL POLE AND FOUNDATION</h2> <h3 style="margin: 0;">INSTALLATION DETAILS</h3> <p style="margin: 0;">VIRGINIA DEPARTMENT OF TRANSPORTATION</p>	ROAD AND BRIDGE STANDARDS REVISION DATE NEW 07/16 SHEET 2 OF 2 1302.31
---------------------------------------	---	--