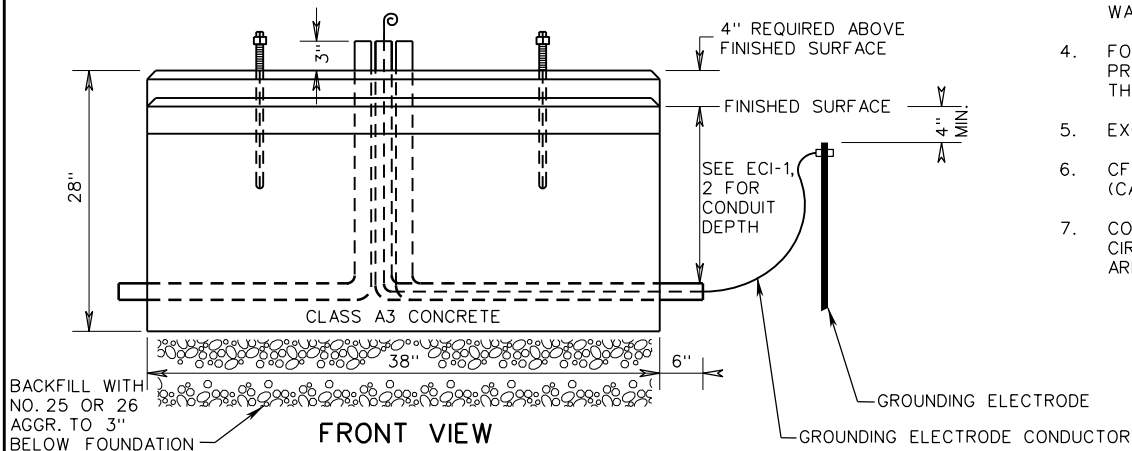
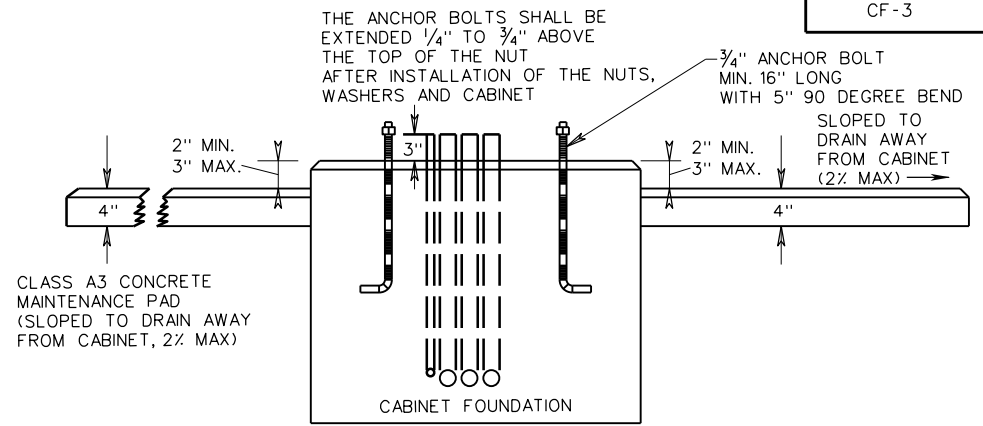


TOP VIEW



FRONT VIEW



SIDE VIEW

NOTES:

1. ANCHOR BOLTS, BOLT TEMPLATE, AND BASE ADAPTER (METAL RISER) SHALL BE FURNISHED WITH CABINET.
2. CABINET ON BASE ADAPTER (METAL RISER) SHALL BE CENTERED ON FOUNDATION.
3. THE CONTROLLER CABINET AT THE INSIDE AND OUTSIDE FOUNDATION JOINTS SHALL BE SEALED WITH AN APPROVED WATERPROOF SILICONE SEALANT.
4. FOUNDATION LENGTH AND WIDTH SHALL BE AS REQUIRED TO PROJECT NO LESS THAN A MINIMUM 4" BEYOND ALL SIDES OF THE CABINET.
5. EXCAVATED AREAS SHALL BE BACKFILLED WITH AGGREGATE.
6. CF-3 FOUNDATION IS INTENDED FOR USE WITH TYPE "B" (CALTRANS MODEL 332) TRAFFIC SIGNAL EQUIPMENT CABINET.
7. CONDUITS ENTERING THE FOUNDATION SHALL BE ARRANGED IN A CIRCULAR PATTERN. THE CONTRACTOR SHALL SUBMIT A CONDUIT ARRANGEMENT PLAN FOR APPROVAL PRIOR TO PLACEMENT.

SPECIFICATION REFERENCE
700 703

A COPY OF THE ORIGINAL SEALED AND SIGNED DRAWING IS ON FILE IN THE CENTRAL OFFICE.

CABINET FOUNDATION DETAILS

TYPE B TRAFFIC SIGNAL EQUIPMENT

VIRGINIA DEPARTMENT OF TRANSPORTATION

VDOT	
ROAD AND BRIDGE STANDARDS	
REVISION DATE	SHEET 1 OF 2
02/16	1301.30