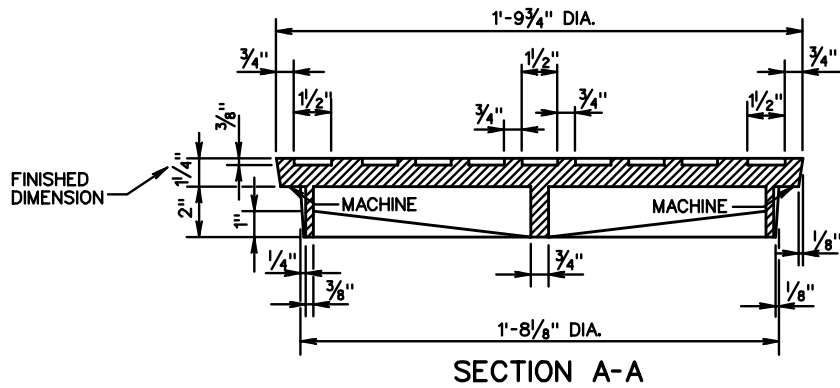
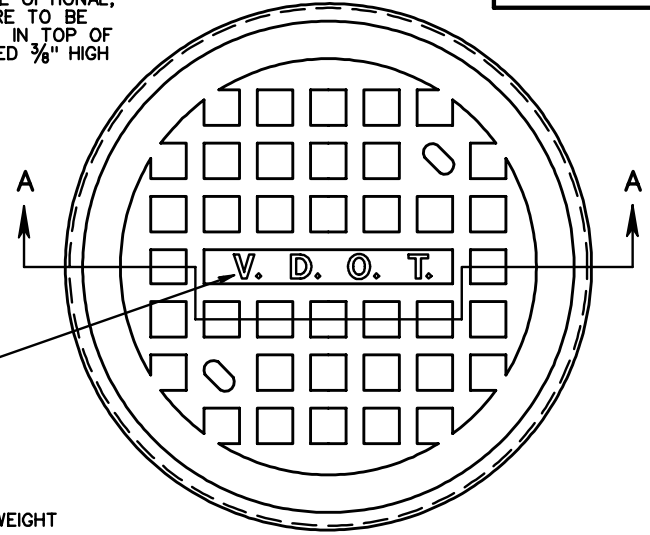


NOTES:
THE LETTERS V.D.O.T. ARE OPTIONAL,
IF USED THE LETTERS ARE TO BE
CAST IN THE DEPRESSION IN TOP OF
COVER 1" WIDE AND RAISED $\frac{3}{8}$ " HIGH
AS SHOWN.

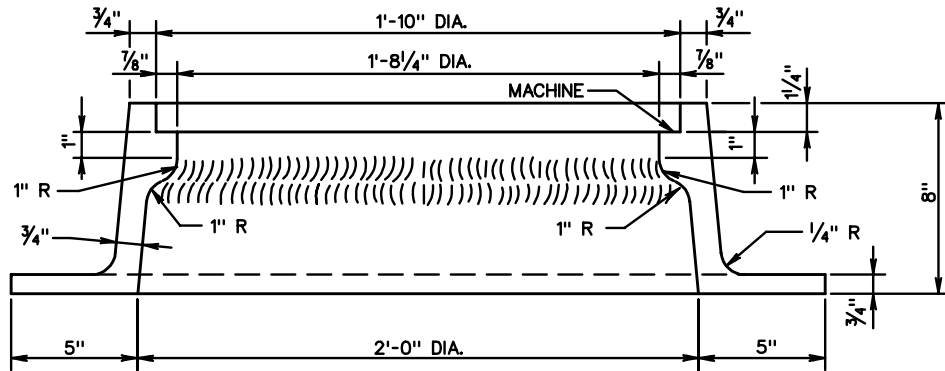


LETTERING
OPTIONAL

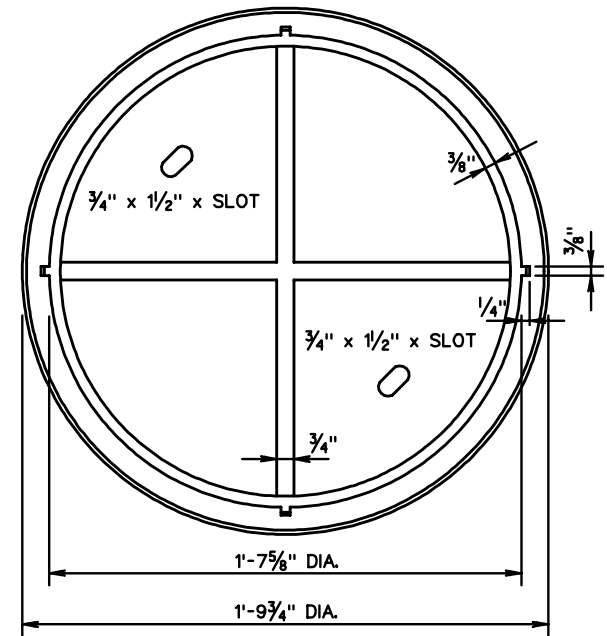


TOP

APPROXIMATE WEIGHT
CAST IRON
COVER 137 ± 7 LBS.
FRAME 235 ± 12 LBS.



FRAME SECTION AT MID POINT



BOTTOM

SPECIFICATION
REFERENCE

224
302

STANDARD MANHOLE FRAME AND COVER

VIRGINIA DEPARTMENT OF TRANSPORTATION

VDOT

ROAD AND BRIDGE STANDARDS

REVISION DATE

SHEET 3 OF 5

106.03