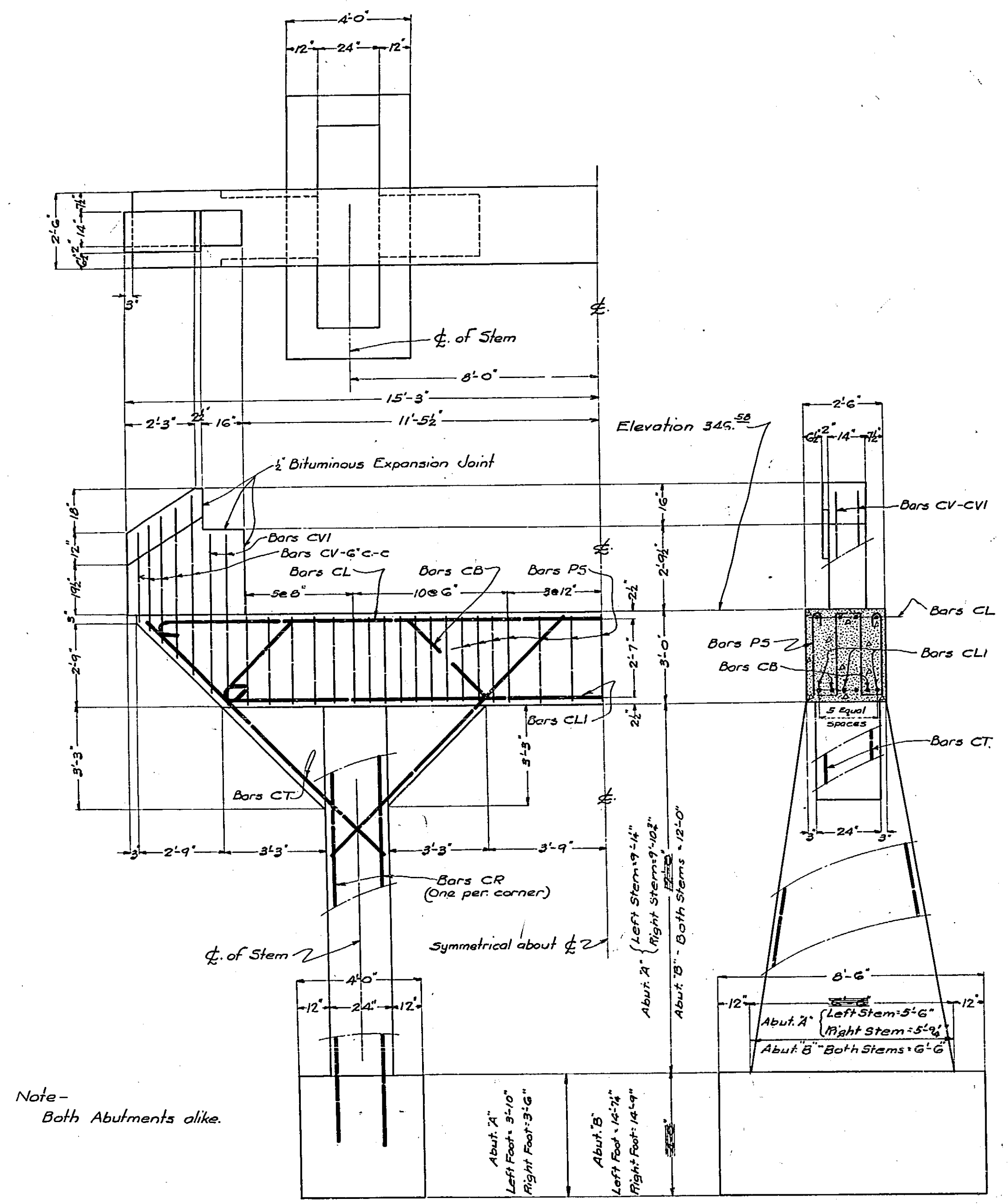
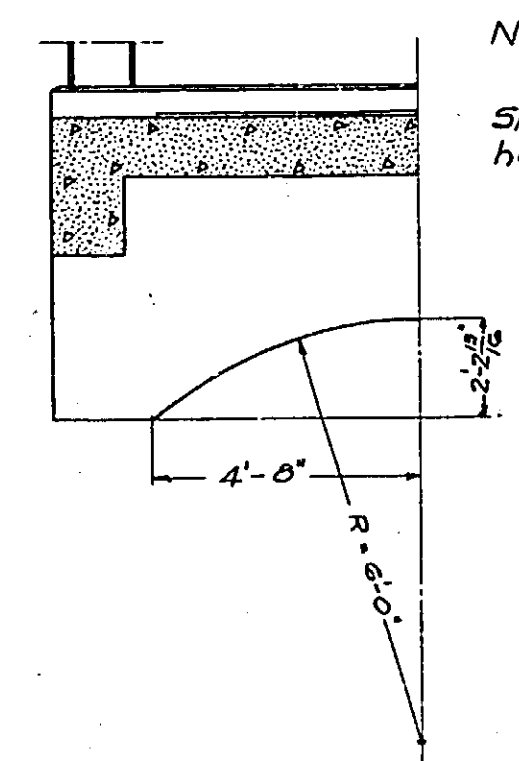


2  
0  
5  
1-1  
4

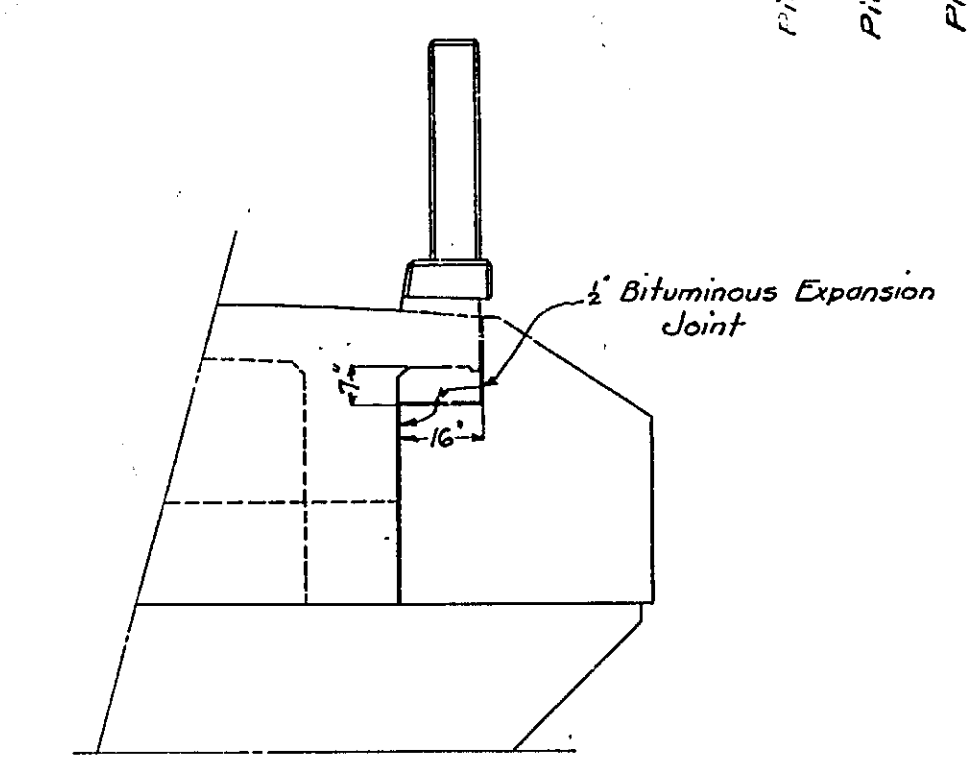


HALF SIDE ELEVATION. SECTION on  $\phi$ .  
 DETAIL OF ABUTMENTS.

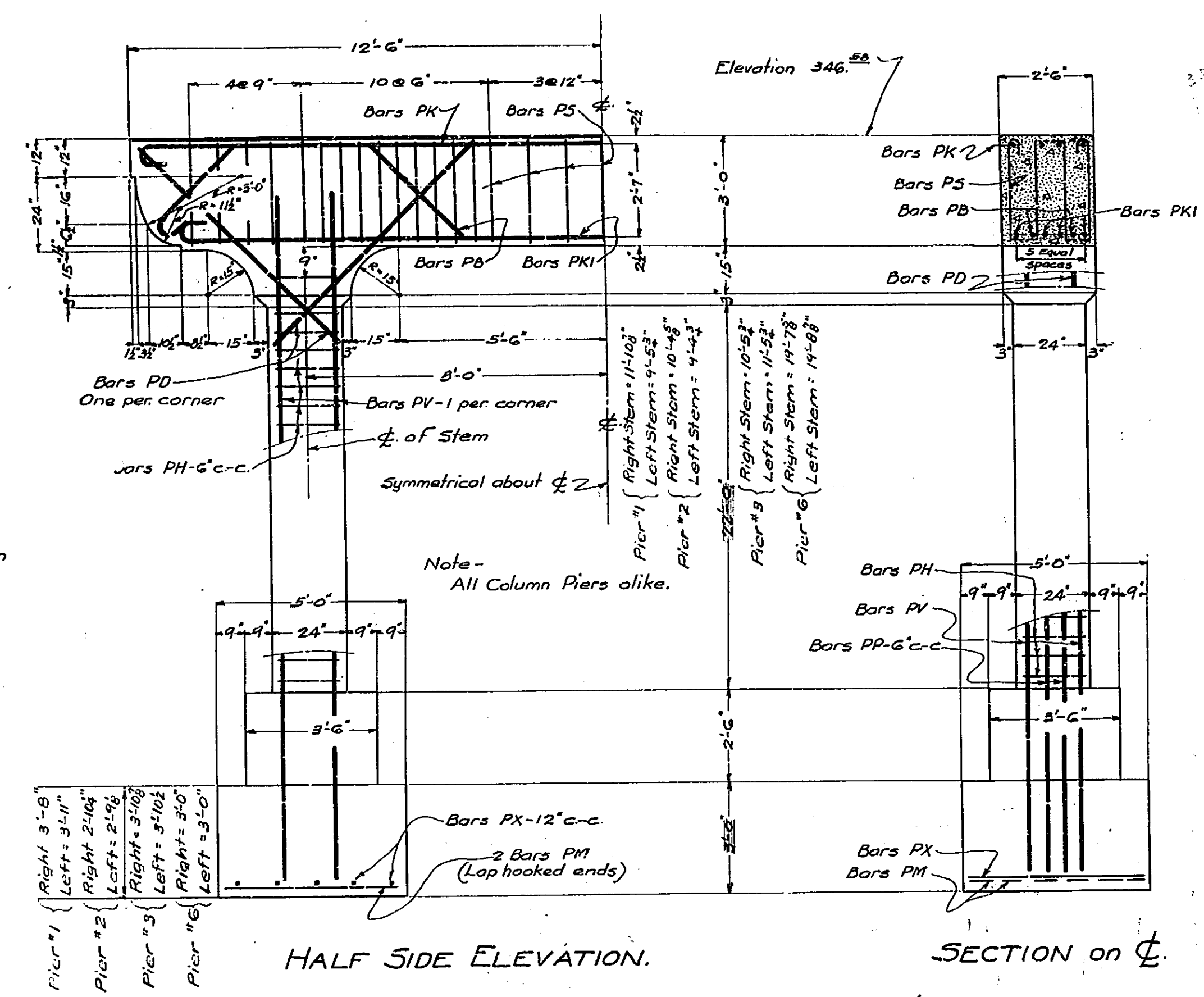
Drawn by - A.P.L.  
 Traced - A.P.L.  
 Chkd. - G.C.B.



Note -  
 Radius of Beams on C24-30  
 Spans to be changed as shown  
 here - over Piers #4 & 5 only.



Note - End Post Brackets to be changed  
 as shown over Abutments.  
 END VIEW over ABUTMENTS.



HALF SIDE ELEVATION. SECTION on  $\phi$ .  
 DETAIL OF PIERS #1-2-3 & 6.

**BANISTER RIVER BRIDGE**  
**SUBSTRUCTURE DETAILS.**

Virginia Department of Highways.  
 Office of the Bridge Engineer.  
 Richmond, Va. May, 1930.

Scale -  $\frac{3}{8}$ " = 1'-0"

XLI - 15.  
 Sheet 2 of 3.