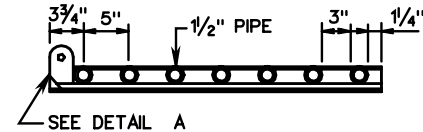
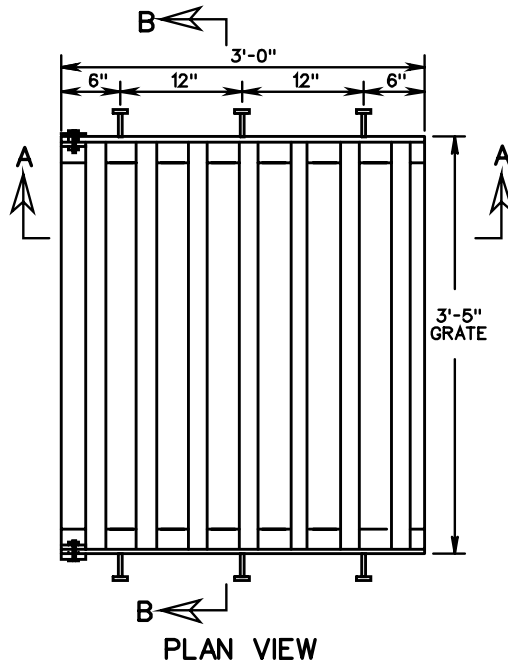
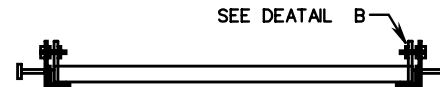


NOTE:

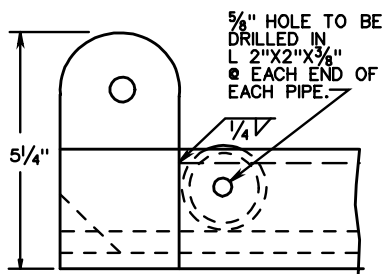
GRATE AND COLLAR ARE TO BE GALVANIZED AFTER FABRICATION. COST OF THIS GRATE AND COLLAR ARE TO BE INCLUDED IN THE PRICE BID FOR STORMWATER MANAGEMENT DRAINAGE STRUCTURE.



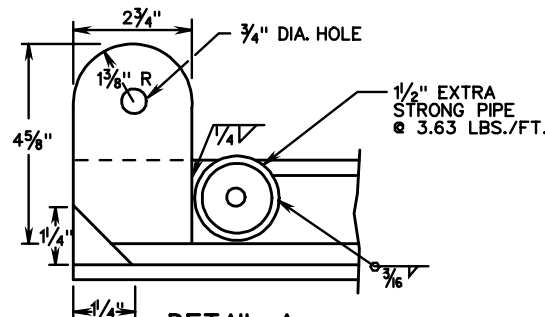
SECTION A-A



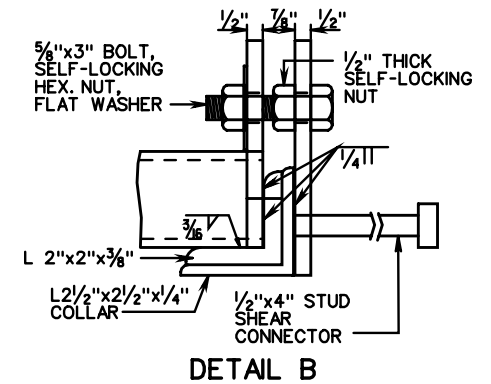
SECTION B-B



DETAIL A INSIDE



DETAIL A OUTSIDE



DETAIL B

SPECIFICATION REFERENCE

302

**STORMWATER MANAGEMENT DRAINAGE STRUCTURE
GRATE DETAILS**

VIRGINIA DEPARTMENT OF TRANSPORTATION