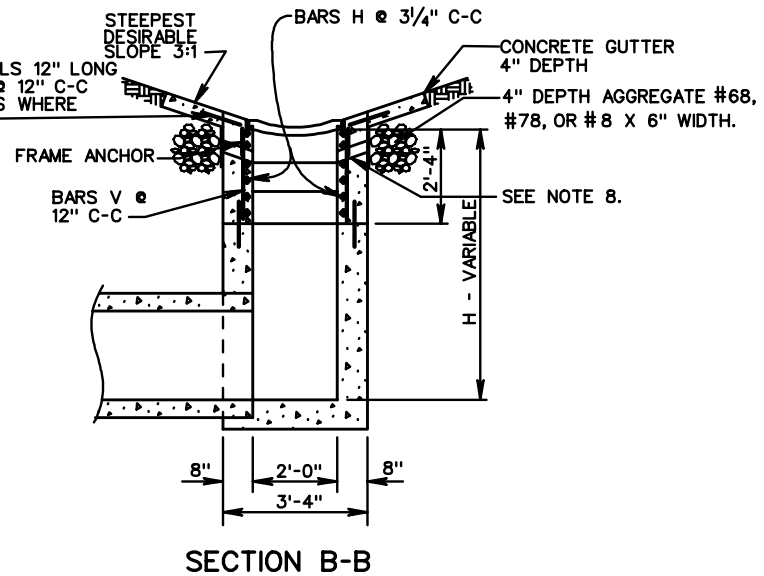
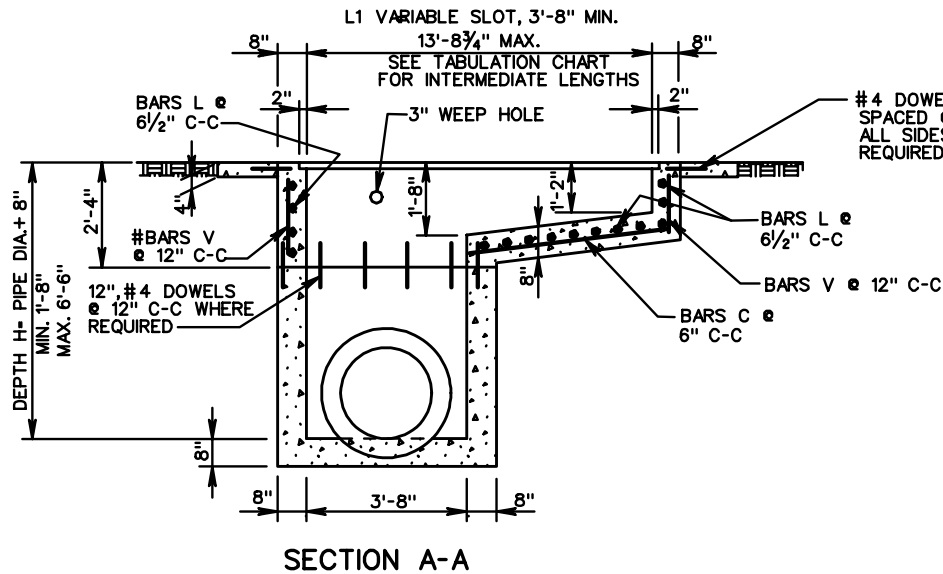


LONGITUDINAL SECTION
(WHEN INLET IS LOCATED ABOVE NORMAL DITCH GRADE)
SEE NOTE 16.



MULTIGRATE DROP INLET
FOR PIPE SIZES 12" TO 36"

VIRGINIA DEPARTMENT OF TRANSPORTATION

SPECIFICATION
REFERENCE

241
503