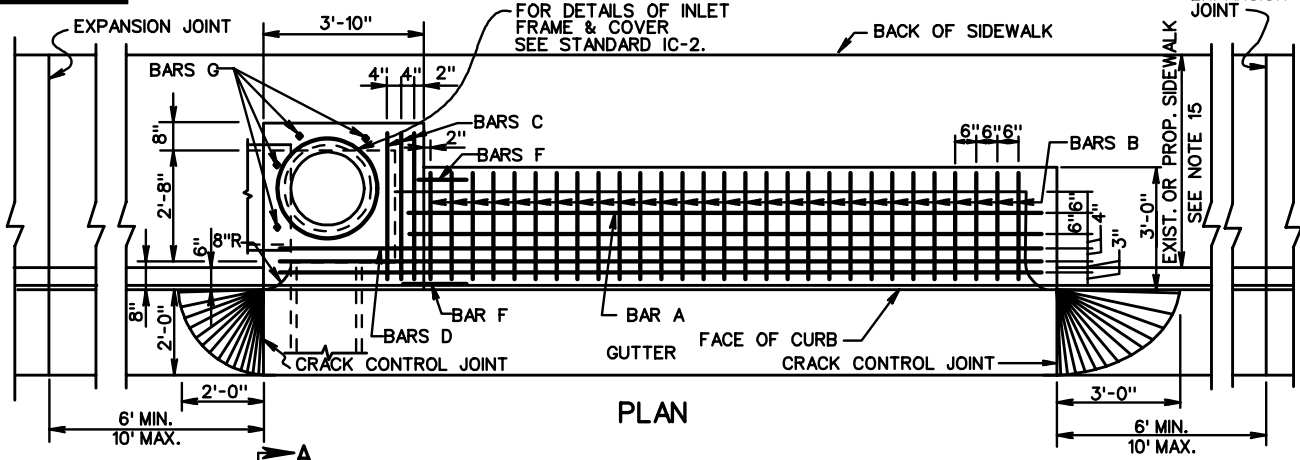
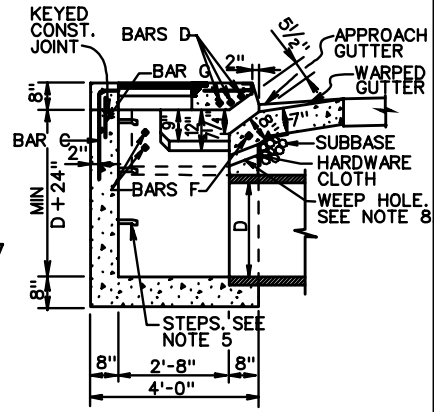


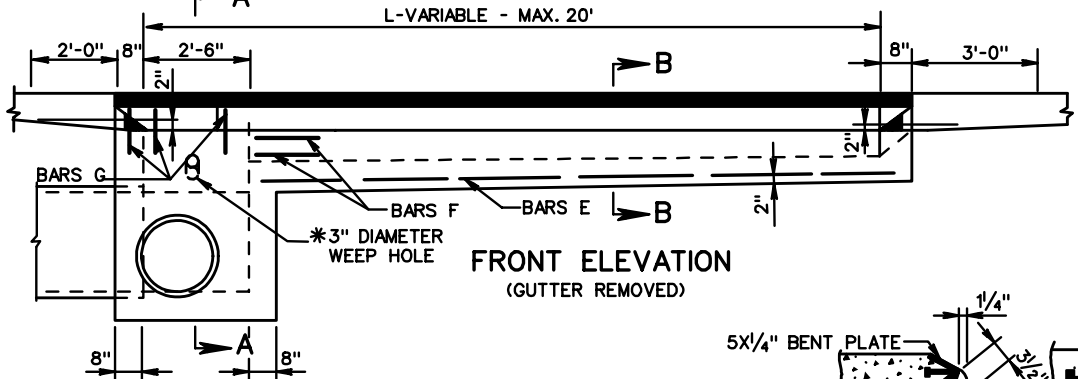
DI-3A,3B,3C



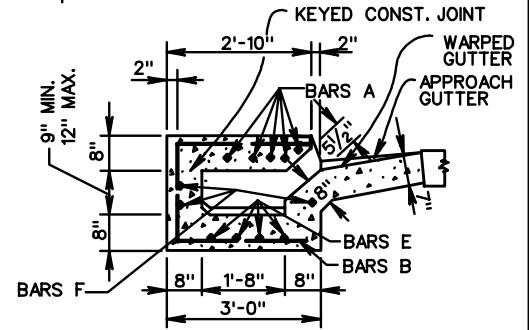
PLAN



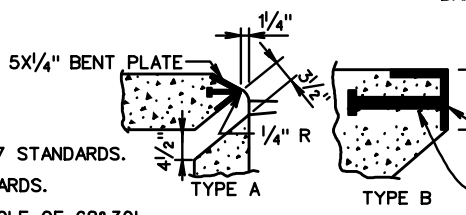
SECTION A-A



FRONT ELEVATION  
(GUTTER REMOVED)

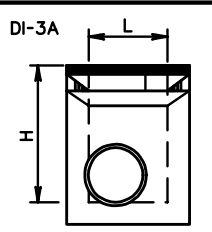


SECTION B-B

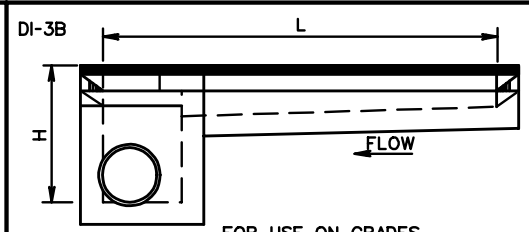


NOSE DETAILS

TYPE A NOSE DETAIL SHALL BE USED WITH CG-3 & CG-7 STANDARDS.  
 TYPE B NOSE DETAIL SHALL BE USED WITH CG-2 STANDARDS.  
 GALVANIZED PLATE FOR TYPE A TO BE BENT ON AN ANGLE OF 68° 30'  
 CONNECTORS AND IS TO BE ANCHORED WITH 1/2" X 4" STUD SHEAR  
 WELDED TO BENT PLATE AT 2' C-C.

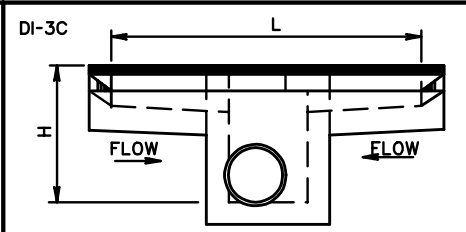


DI-3A



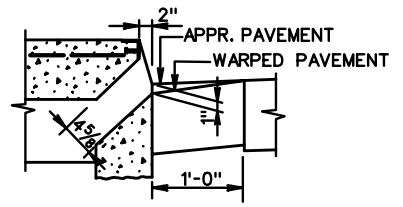
DI-3B

FOR USE ON GRADES



DI-3C

FOR USE IN SAGS  
 BOTH SIDES TO BE SYMMETRICAL



DETAIL WHEN USED  
 ADJACENT TO CURB  
 WITHOUT GUTTER

SHEET 1 OF 2

# STANDARD CURB DROP INLET

## 12" - 30" PIPE: MAXIMUM DEPTH (H) = 8'

VIRGINIA DEPARTMENT OF TRANSPORTATION

SPECIFICATION  
 REFERENCE

233  
 302

104.09