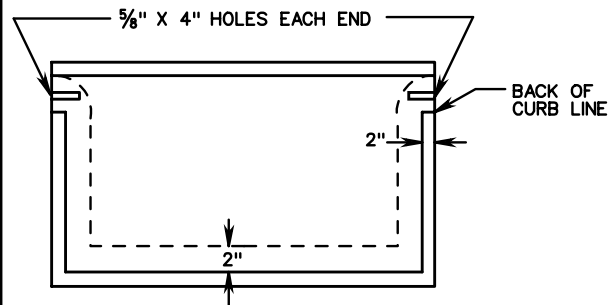
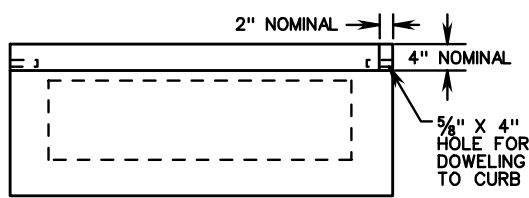


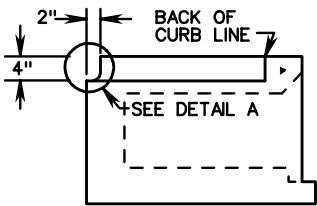
ISOMETRIC
CURB DROP INLET THROAT SECTION
ALTERNATE DESIGN



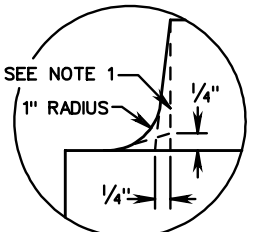
PLAN



BACK VIEW



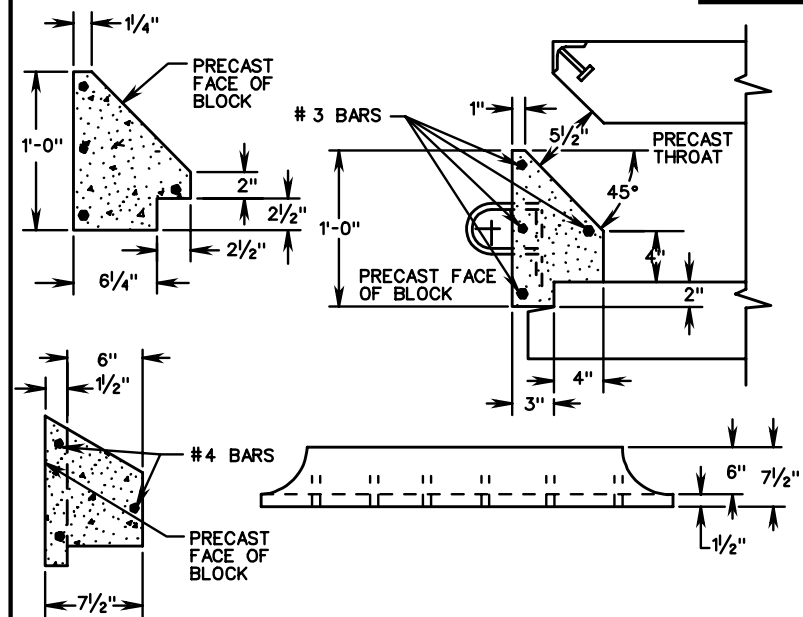
END VIEW



DETAIL A

NOTES:

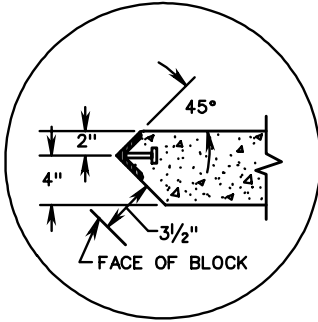
1. 2" x 4" NOTCH MAY BE FORMED WITH STRAIGHT SIDES, TAPERED SIDES OR TAPERED SIDES WITH RADIUS.
2. ALL DETAILS NOT SHOWN TO BE IN ACCORDANCE WITH SHEET 1 OF 2.



NOTE:

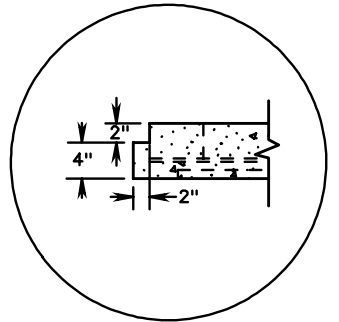
DOWEL HOLES PROVIDED TO PREVENT SETTLEMENT OF ADJECENT CONCRETE.

ALTERNATE DETAIL FOR FACE BLOCK
(NOSE TYPE B)



ALTERNATE
NOSE
DETAIL A

(FOR USE WITH MOUNTABLE CURB)



ALTERNATE
DETAIL B

SPECIFICATION REFERENCE
105
233
302

STANDARD PRECAST TOP UNITS

VIRGINIA DEPARTMENT OF TRANSPORTATION