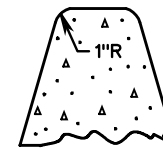
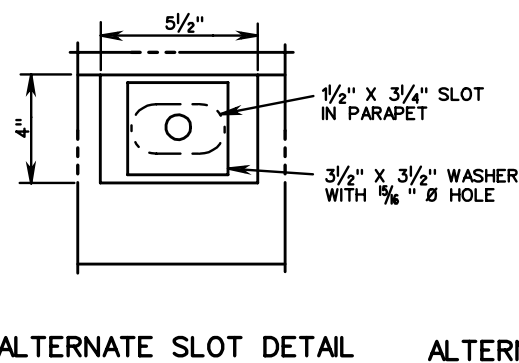
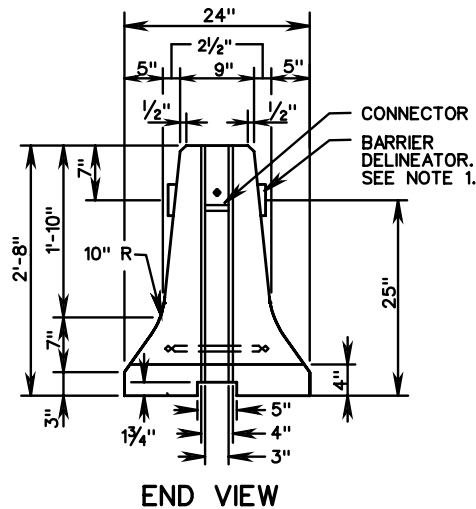
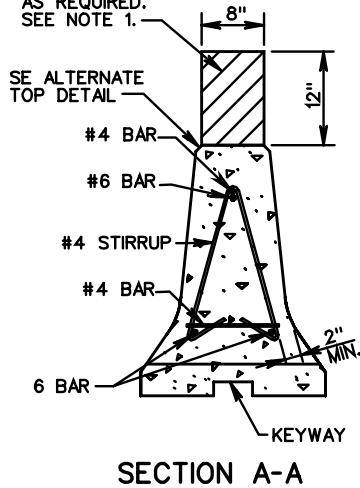


8" X 12" BARRIER VERTICAL PANELS AS REQUIRED. SEE NOTE 1.

SEE ALTERNATE TOP DETAIL



TRAFFIC BARRIER SERVICE CONCRETE PARAPET (DOUBLE FACE) (FOR TEMPORARY INSTALLATION ON BRIDGE DECK EXTERIOR)