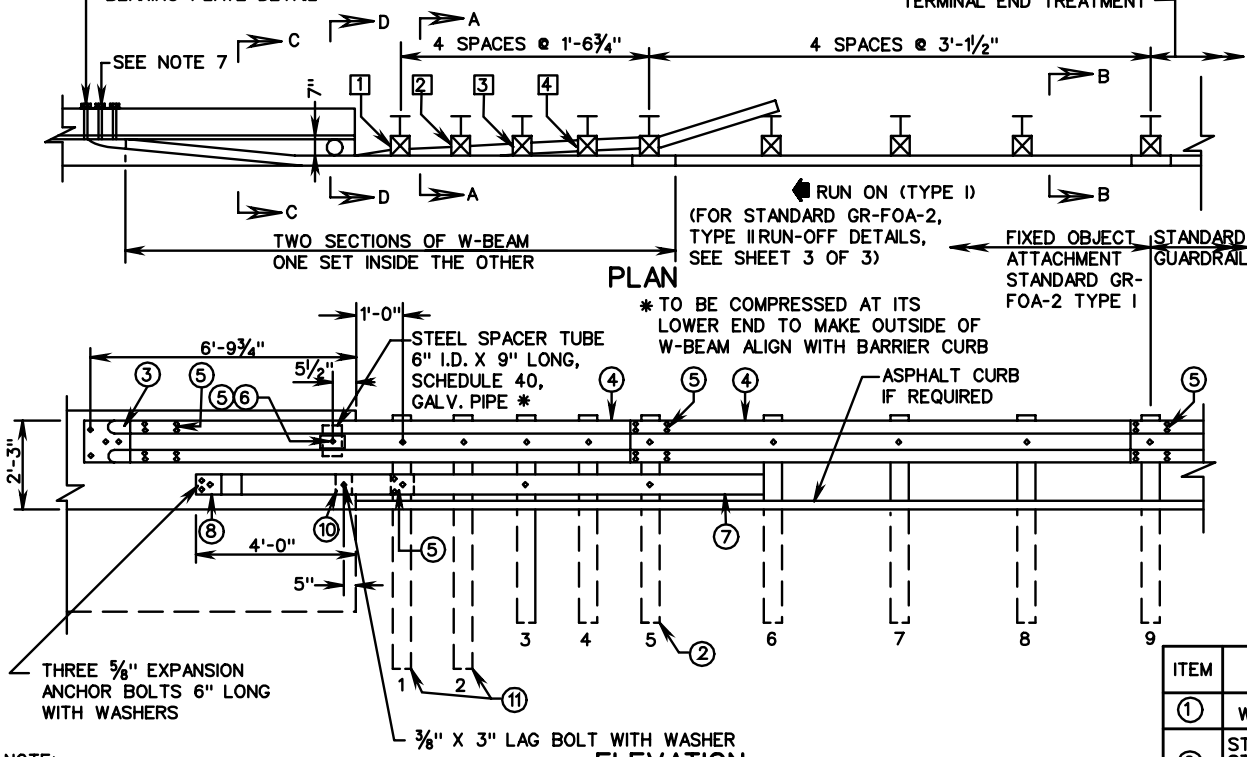


SEE SHEET 3 OF 3 FOR BEARING PLATE DETAIL

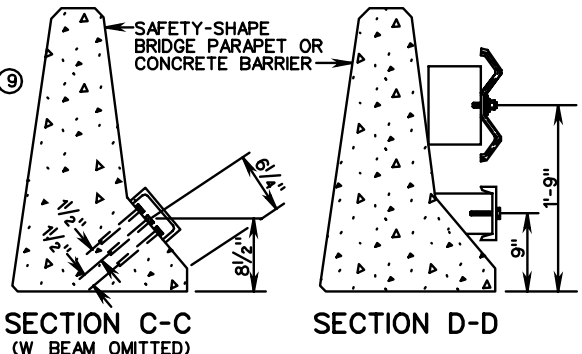
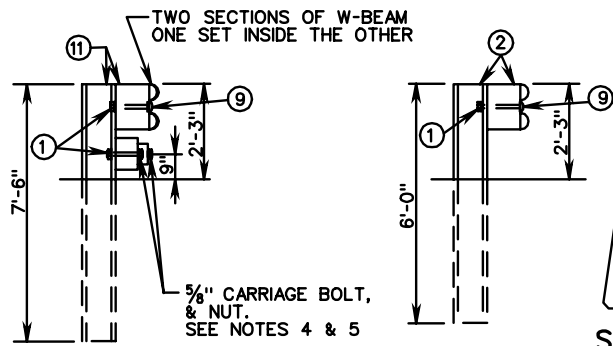
MIN. 4 SPACES GR-2 OR TERMINAL END TREATMENT

- NOTES:
1. FIXED OBJECTS MAY CONSIST OF SAFETY SHAPED BRIDGE PARAPETS OR CONCRETE BARRIERS.
  2. BRIDGE RAIL ENDS AND BRIDGE PARAPETS MUST BE OF ADEQUATE STRENGTH TO ACCEPT FULL IMPACT LOADING.
  3. GUARDRAIL COMPONENTS SHALL BE IN ACCORDANCE WITH VDOT ROAD AND BRIDGE STANDARDS.
  4. POSTS 1, 2, 3, 4, AND 5 REQUIRE AN ADDITIONAL HOLE TO ATTACH LOWER BLOCKS AND/OR RUBRAIL. RUBRAIL IS NOT BOLTED TO POSTS 2 AND 4.
  5. BOTTOM WOOD BLOCKS LOCATED ON POSTS 1 THROUGH 4 ARE CENTER DRILLED AND SECURED WITH  $\frac{5}{8}$ " CARRIAGE BOLTS. (LENGTH AS REQUIRED).
  6. RUBRAIL MUST BE TWISTED 35° BETWEEN SECTIONS C-C AND D-D. SHOP FABRICATION MAY BE REQUIRED. RIGHT HAND AND LEFT HAND TWISTS WILL BE NECESSARY.
  7. APPROPRIATE LENGTH  $\frac{7}{8}$ " ASTM A325 HEX BOLTS WITH WASHERS MUST BE USED WITH THRU DRILLED HOLES WITH A  $\frac{5}{8}$ " BEARING PLATE ON THE BACK SIDE OF THE BRIDGE PARAPET OR CONCRETE BARRIER.
  8. SEE SHEET 3 OF 3 FOR RUBRAIL BLOCKOUT DETAILS.



NOTE:  
RUBRAIL MUST BE TWISTED 35° BETWEEN SECTION C-C AND D-D. SHOP FABRICATION MAY BE REQUIRED. RIGHT HAND AND LEFT HAND TWISTS WILL BE NECESSARY.

NEW BRIDGE - ATTACHMENTS  
ONE-WAY TRAFFIC-RUN-ON, 2-GR-FOA-2, TYPE I  
-RUN-OFF, 2-GR-FOA-2, TYPE II  
TWO-WAY TRAFFIC-RUN-ON, 4-GR-FOA-2, TYPE I  
EXISTING BRIDGE ATTACHMENTS AS SHOWN ON PLANS.



ITEM	MATERIAL/SPECIFICATIONS/NOTES
①	WASHER FOR $\frac{5}{8}$ " BOLT
②	ST'D. W6 X 8.5 OR W6 X 9 STEEL POST W/ ST'D. 6" X 8" X 14" LG. TREATED PINE BLOCK OR RECYCLED MATERIAL
③	STANDARD W-BEAM TERMINAL CONNECTOR
④	STANDARD W-BEAM RAIL
⑤	$\frac{5}{8}$ " X 2" LONG GUARDRAIL BOLT AND RECESSED NUT (SEE STANDARD GR-HDW)
⑥	RECTANGULAR PLATE WASHER (SEE STANDARD GR-HDW)
⑦	BENT PLATE RUBRAIL (SEE SHEET 3 OF 3)
⑧	C6 X 8.2 RUBRAIL (SEE SHEET 3 OF 3)
⑨	$\frac{5}{8}$ " X 10" LG. HEX BOLT, NUT AND WASHER
⑩	WOOD BLOCKOUT FOR RUBRAIL (SEE SHEET 3 OF 3)
⑪	W8 X 13 X 7'-6" LG. STEEL POST WITH STD. 6" X 8" X 14" LG. TREATED PINE BLOCK OR RECYCLED MATERIAL.

SECTION A-A

SECTION B-B

SECTION C-C (W BEAM OMITTED)

SECTION D-D

# W-BEAM GUARDRAIL - FIXED OBJECT ATTACHMENT FOR USE WITH SAFETY SHAPE - STEEL POSTS

SPECIFICATION REFERENCE
506