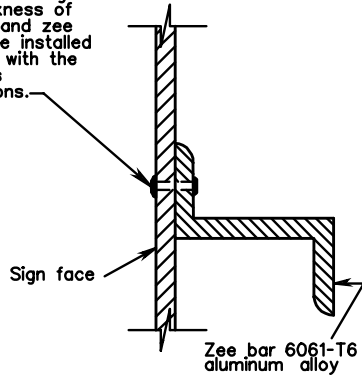


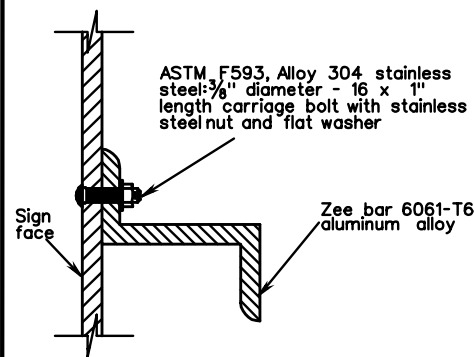
SECTION A-A

ALL INSTALLATIONS EXCEPT TOP AND BOTTOM ZEE BARS ON OVERHEAD SIGNS

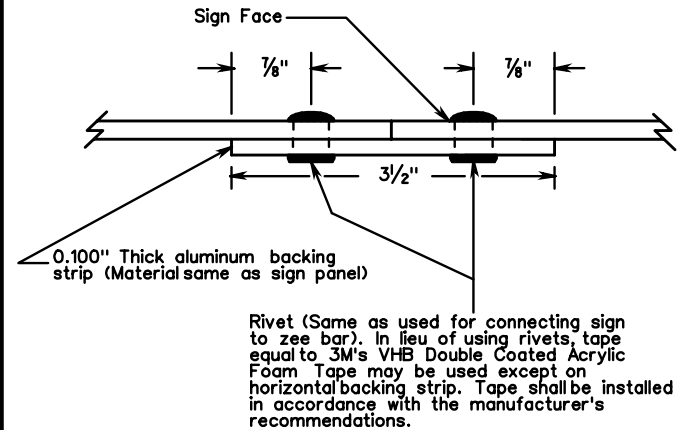
3/16" diameter rivet - Rivets shall be dome head, break mandrel, blind rivets conforming to Industrial Fasteners Institute Standard IFI-114, Style 1, Grades 10 or 11 except that the minimum ultimate tensile strength shall be 360 pounds. Rivets shall have a grip range accommodating the combined thickness of the sign panel and zee bar and shall be installed in accordance with the manufacturer's recommendations.



TOP AND BOTTOM ZEE BAR INSTALLATION ON OVERHEAD SIGNS



SECTION B-B



SIGN PANEL DESIGN