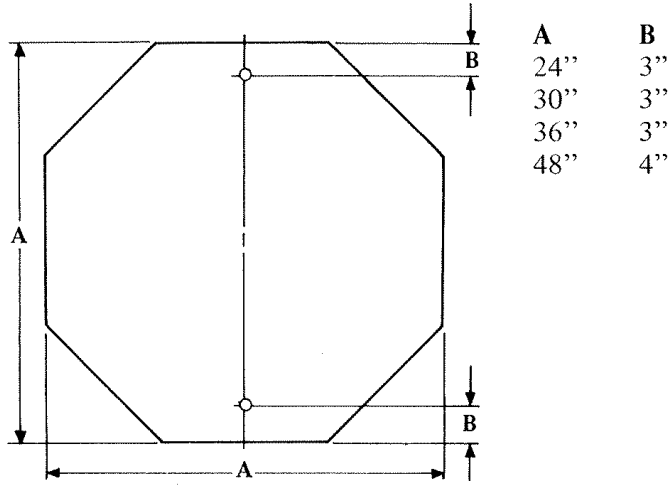


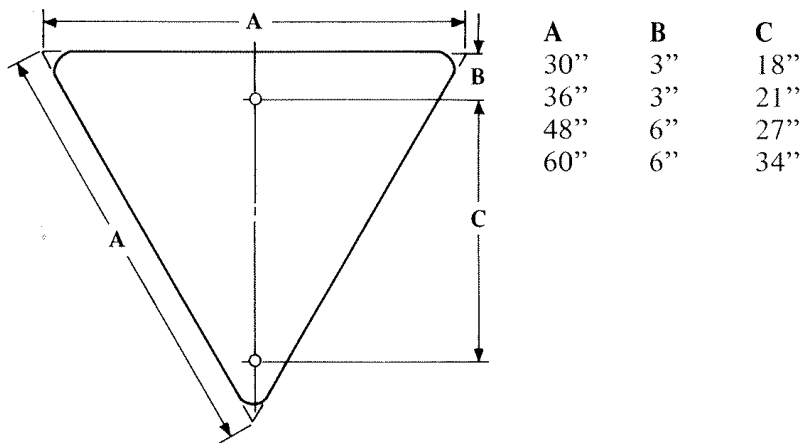
PUNCHING STANDARDS

ALL HOLES TO BE 7/16 INCH IN DIAMETER

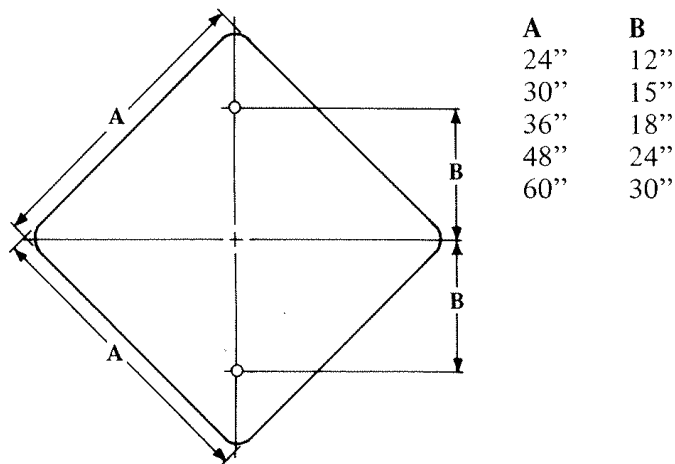
I OCTAGON



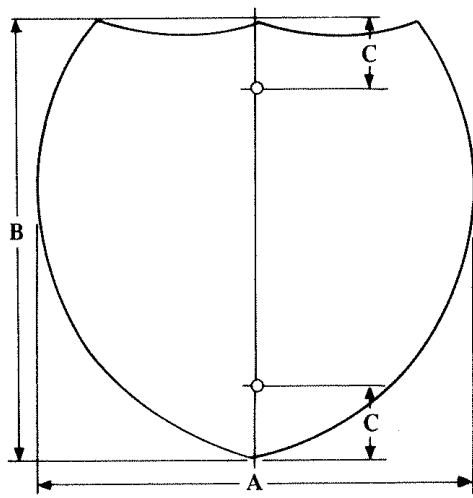
II EQUILATERAL TRIANGLE



III DIAMOND

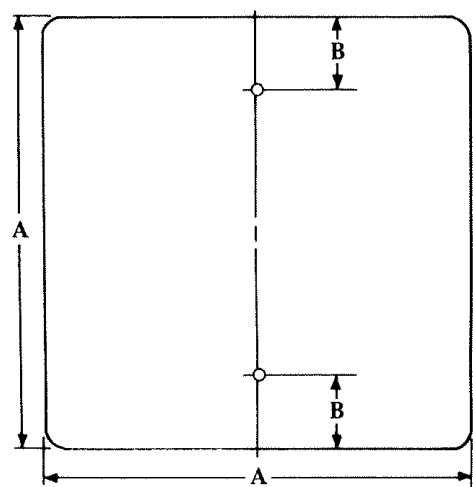


IV INTERSTATE SHIELD



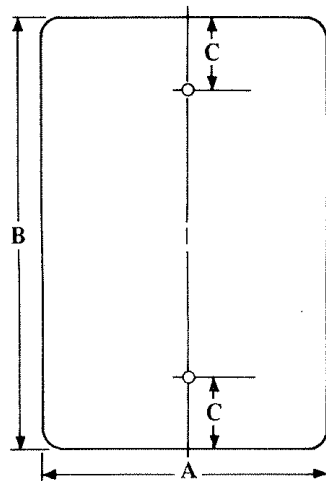
A	B	C
24"	24"	3"
30"	24"	3"
36"	36"	6"
45"	36"	6"

V SQUARE



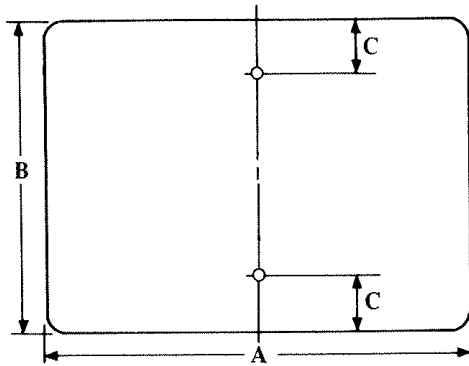
A	B
18"	3"
24"	3"
30"	3"
36"	3"
48"	3"
72"	Refer to Chart IX.

VI VERTICAL RECTANGLE



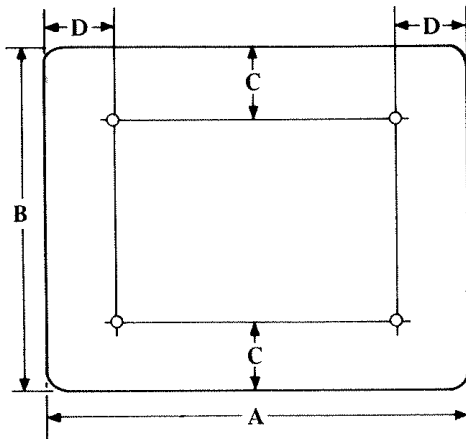
A	B	C
12"	18"	1 1/2"
12"	72"	4"
18"	24"	3"
24"	30"	3"
30"	36"	3"
30"	60"	5"
36"	48"	3"
42"	48"	3"
48"	60"	5"
60"	84"	Refer to Chart IX.

**VII HORIZONTAL RECTANGLE
SINGLE POST**



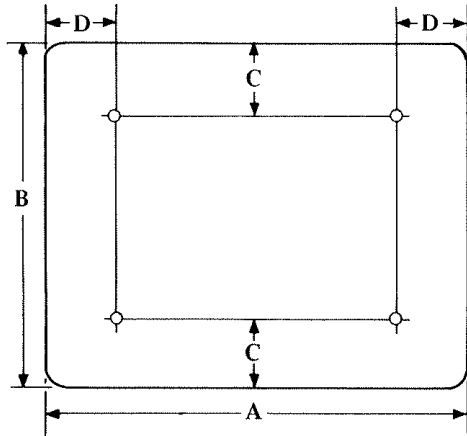
A	B	C
18"	6"	1 1/2"
18"	12"	1 1/2"
20	6"	1 1/2"
21"	15"	1 1/2"
24"	9"	1 1/2"
24"	12"	1 1/2"
24"	18"	3"
30"	15"	1 1/2"
30"	24"	3"
36"	12"	1 1/2"
36"	18"	2"
36"	24"	3"
42"	24"	3"
45"	36"	3"
48"	24"	3"
48"	36"	3"
48"	42"	4"
54"	24"	3"
54"	30"	3"

**VIII HORIZONTAL RECTANGLE
DOUBLE POST**



A	B	C	D
60"	24"	3"	8"
60"	36"	3"	8"
60"	48"	4"	8"
60"	54"	5"	8"
78"	48"	4"	10"
96"	48"	4"	12"
120"	72"	6"	15"
156"	96"	6"	20"

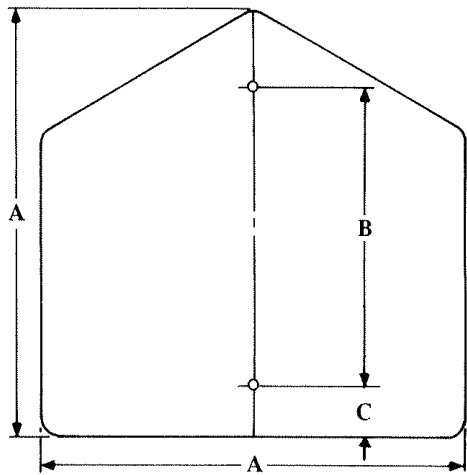
IX VARIABLE WIDTH SIGNS



A	B	C	D
Variable	6"	1/2"	A/8
	12"	1 1/2"	
	18"	2"	
	24"	3"	
	30"	3"	
	36"	3"	
	42"	4"	
	48"	4"	
	54"	5"	
	60"	5"	
	72"	6"	
	84"	6"	
	90"	6"	
	96"	6"	

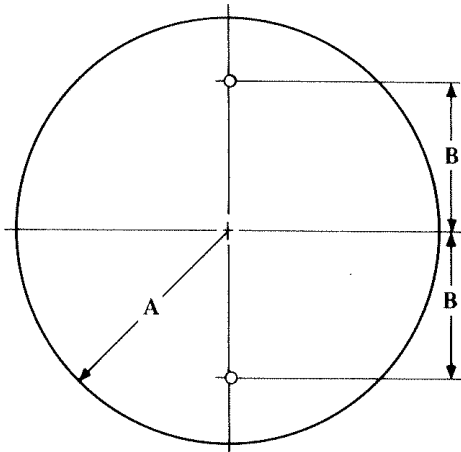
When A is less than 60", use single post and ignore D dimension.

X PENTAGON



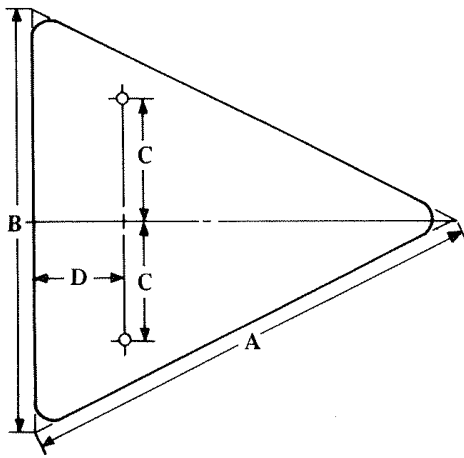
A	B	C
30"	21"	3"
36"	24"	3"

XI CIRCLE



A	B
15"	12"
18"	15"

XII ISOSCELES TRIANGLE



A	B	C	D
40"	30"	7 1/2"	12"
48"	36"	9"	15"

SIGN BORDERS

A dark border should be set in from the sign edge, while a white border should extend to the edge of the panel. The corners of the sign border shall be rounded. Where practicable, the corners of the sign panels should also be rounded to fit the border.

