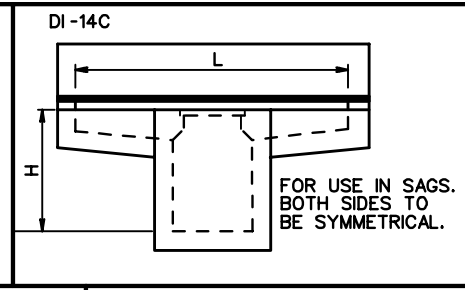
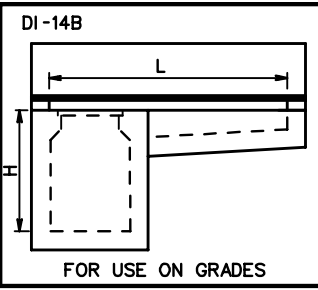
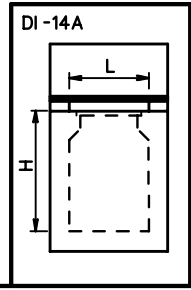
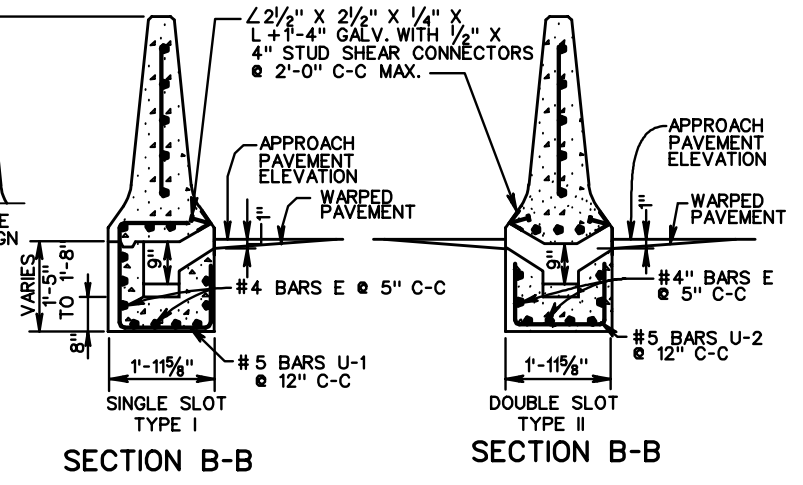
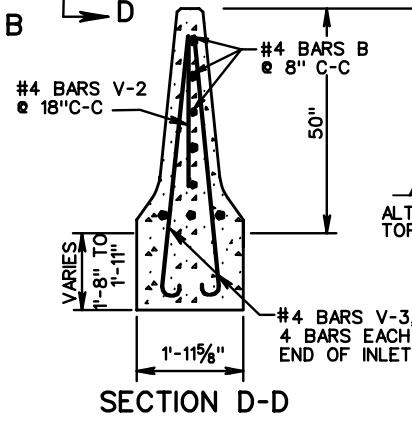
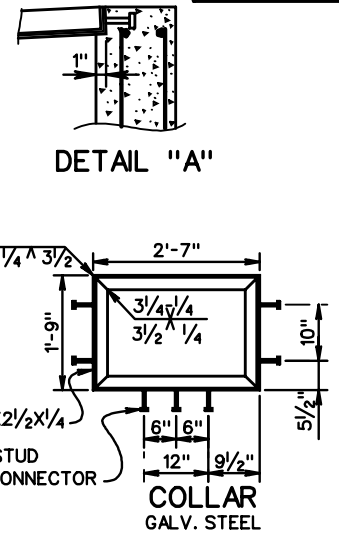
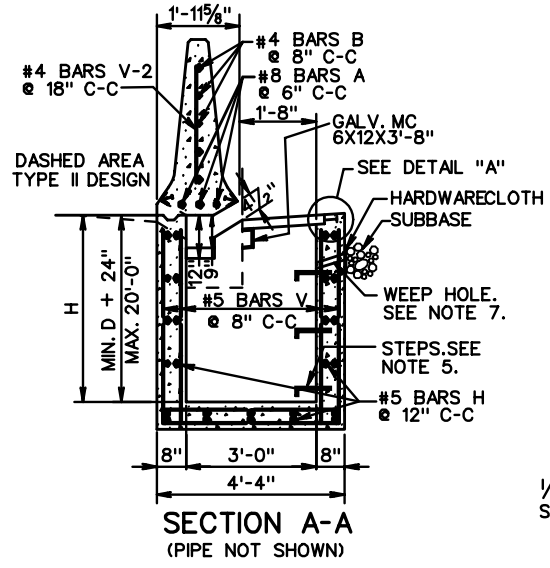


NOTE:
FOR DIMENSIONS, QUANTITIES AND NOTES
NOT SHOWN SEE SHEET 2 OF 2.



FOR USE ON GRADES

SPECIFICATION REFERENCE
233
302

CONCRETE MEDIAN BARRIER DROP INLET
12"-36" PIPE: DEPTH (H)-20'-0" MAX.
VIRGINIA DEPARTMENT OF TRANSPORTATION

VDOT	
ROAD AND BRIDGE STANDARDS	
REVISION DATE	SHEET 1 OF 2
104.38	