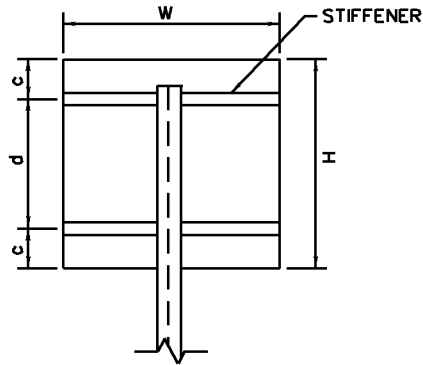
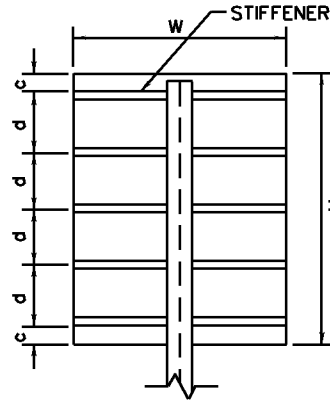


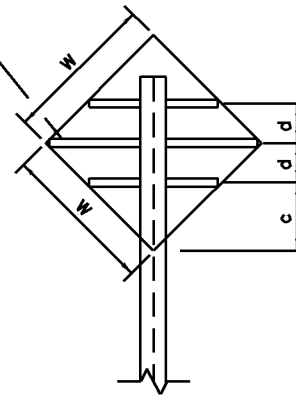
TYPES VA-B, VA-C, VA-D,
VA-L AND VA-M



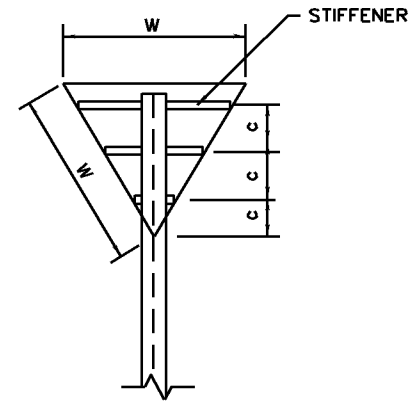
TYPES VA-E



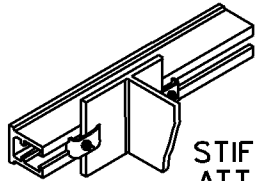
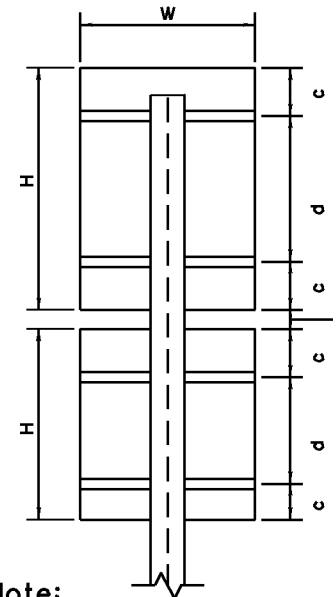
TYPES VA-F



TYPES VA-G

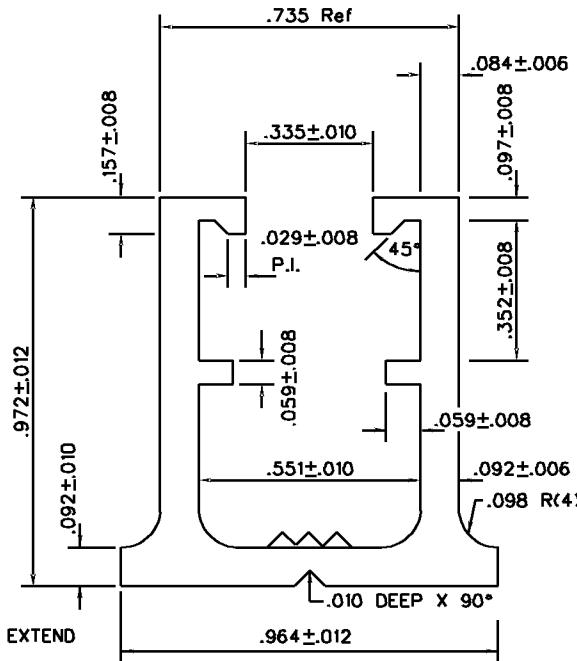


TYPES VA-K



STIFFENER TO POST
ATTACHMENT DETAIL

MEDIUM STIFFENER
DETAIL



Note:

RIVETS SHALL BE USED FOR SECURING THE STIFFENERS TO THE SIGN UNLESS OTHERWISE SPECIFIED OR APPROVED, AND SHALL BE 3/16" MINIMUM DIAMETER BY 1/2" LONG ALUMINUM AND CAPABLE OF WITHSTANDING A MINIMUM SHEAR FORCE OF 460LBS. RIVET SPACING FOR ATTACHING THE STIFFENERS TO THE SIGN PANEL SHALL BE 6" MAXIMUM BEGINNING 1 1/2" FROM THE ENDS OF THE SIGN PANEL.

| STRUCTURE TYPE | W | H | c | d | STIFFENERS | |
|----------------|----|----|---------|--------|------------|--------|
| | | | | | NO. | SIZE |
| VA-B | 4' | 4' | 6 1/2" | 2'-11" | 2 | MEDIUM |
| VA-C | 4' | 5' | 12 1/2" | 2'-11" | 2 | MEDIUM |
| VA-D | 5' | 3' | 7" | 1'-10" | 2 | MEDIUM |
| VA-E | 6' | 5' | 0" | 1'-3" | 5 | MEDIUM |
| VA-F | 4' | — | 8" | 2'-2" | 3 | MEDIUM |
| VA-G | 5' | — | 1'-4" | — | 3 | MEDIUM |
| VA-K | 4' | 5' | 12 1/2" | 2'-11" | 2 | MEDIUM |
| | 4' | 4' | 6 1/2" | 2'-11" | 2 | MEDIUM |
| VA-L | 6' | 6' | 6" | 1'-3" | 5 | MEDIUM |
| VA-M | 5' | 5' | 8" | 1'-10" | 3 | MEDIUM |

SEE STANDARD SPD-4 FOR POST CLAMP AND BOLT DETAILS.

UNLESS OTHERWISE NOTED THE TOP OF THE SIGN PANEL SHALL NOT EXTEND ABOVE THE SIGN POST NO GREATER THAN THE DISTANCE OF 1/2 c.



ROAD AND BRIDGE STANDARDS

SHEET 1 OF 1

REVISION DATE
6-15-09

1325.60

SIGN PANEL DESIGN

VIRGINIA DEPARTMENT OF TRANSPORTATION

SPECIFICATION
REFERENCE

701