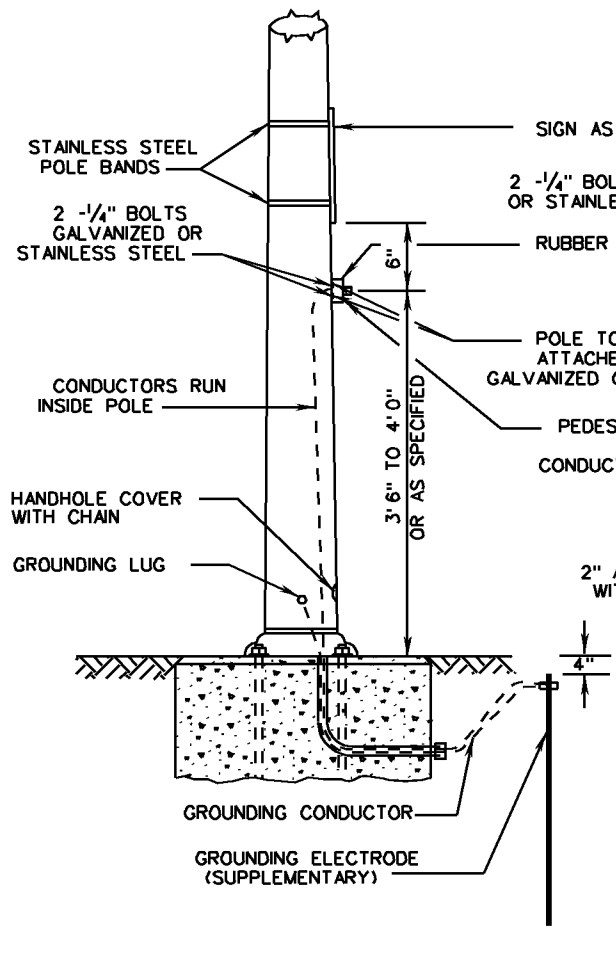
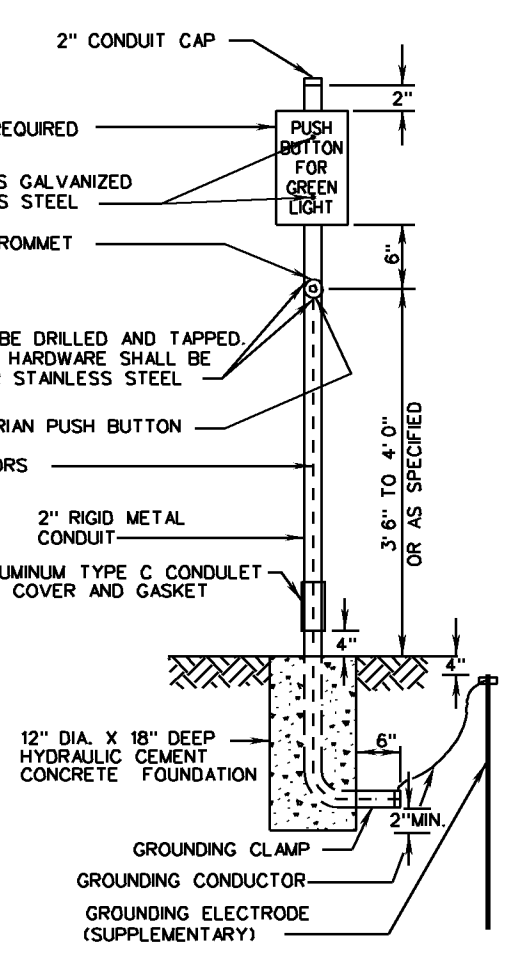


PA-1
WOOD/CONCRETE POLE



PA-2
SIGNAL/PEDESTAL POLE



PA-3
METAL

NOTE:

REFER TO STANDARD MP-2 FOR GROUNDING LUG DETAIL.

<p>SPECIFICATION REFERENCE</p> <p>700 703</p>	<p>PEDESTRAIN ACTUATION</p> <p>DETAILS</p> <p>VIRGINIA DEPARTMENT OF TRANSPORTATION</p>	<p>VDOT</p> <p>ROAD AND BRIDGE STANDARDS</p> <p>REVISION DATE 4/09</p> <p>SHEET 1 OF 1</p> <p>1307.10</p>
---	---	--