

SHEET 1 OF 4

PRECAST CONCRETE MEDIAN BARRIER POSITIVE CONNECTION OPTIONS

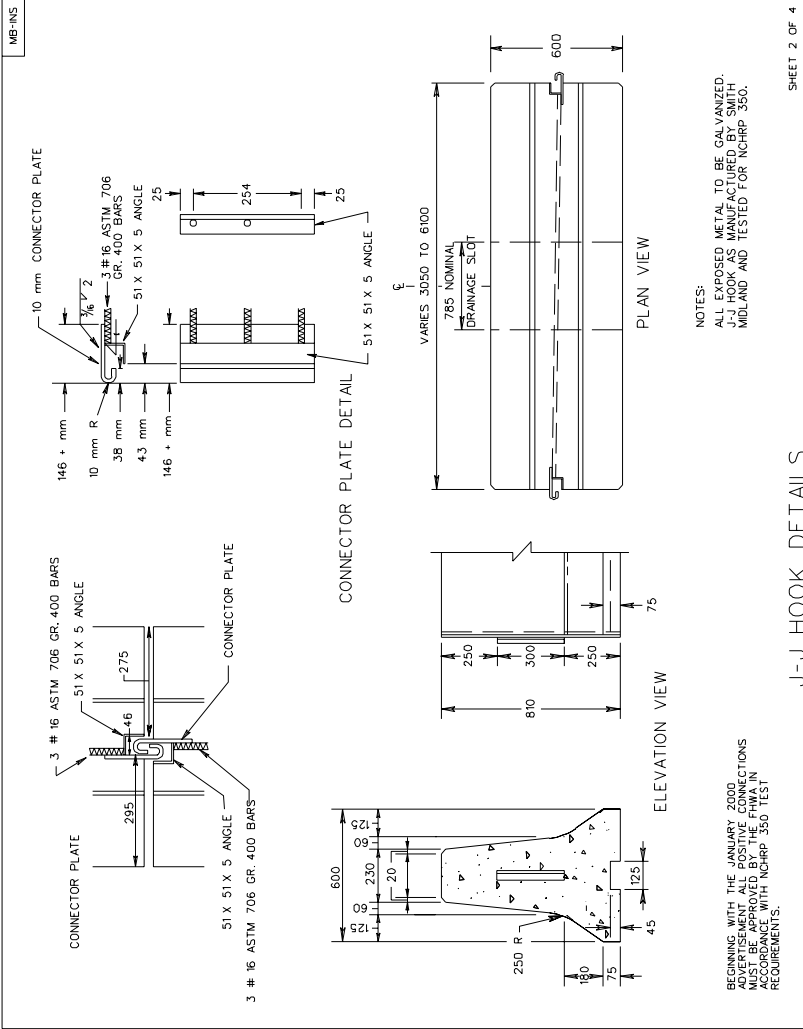
VIRGINIA DEPARTMENT OF TRANSPORTATION

UNLESS OTHERWISE NOTED, ALL DIMENSIONS ON THIS SHEET ARE IN MILLIMETERS

REVISED 12/99

501.68

SPECIFICATION REFERENCE	
-------------------------	--



SHEET 2 OF 4

PRECAST CONCRETE MEDIAN BARRIER POSITIVE CONNECTION OPTIONS

VIRGINIA DEPARTMENT OF TRANSPORTATION

UNLESS OTHERWISE NOTED, ALL DIMENSIONS ON THIS SHEET ARE IN MILLIMETERS

REVISED 12/99

501.69

SPECIFICATION REFERENCE	
-------------------------	--

DESIGN FEATURES RELATING TO CONSTRUCTION OR TO REGULATION AND CONTROL OF TRAFFIC MAY BE SUBJECT TO CHANGE AS DEEMED NECESSARY BY THE DEPARTMENT

NO	DATE	ISSUED FOR	BY	DATE	REVISION
VI					