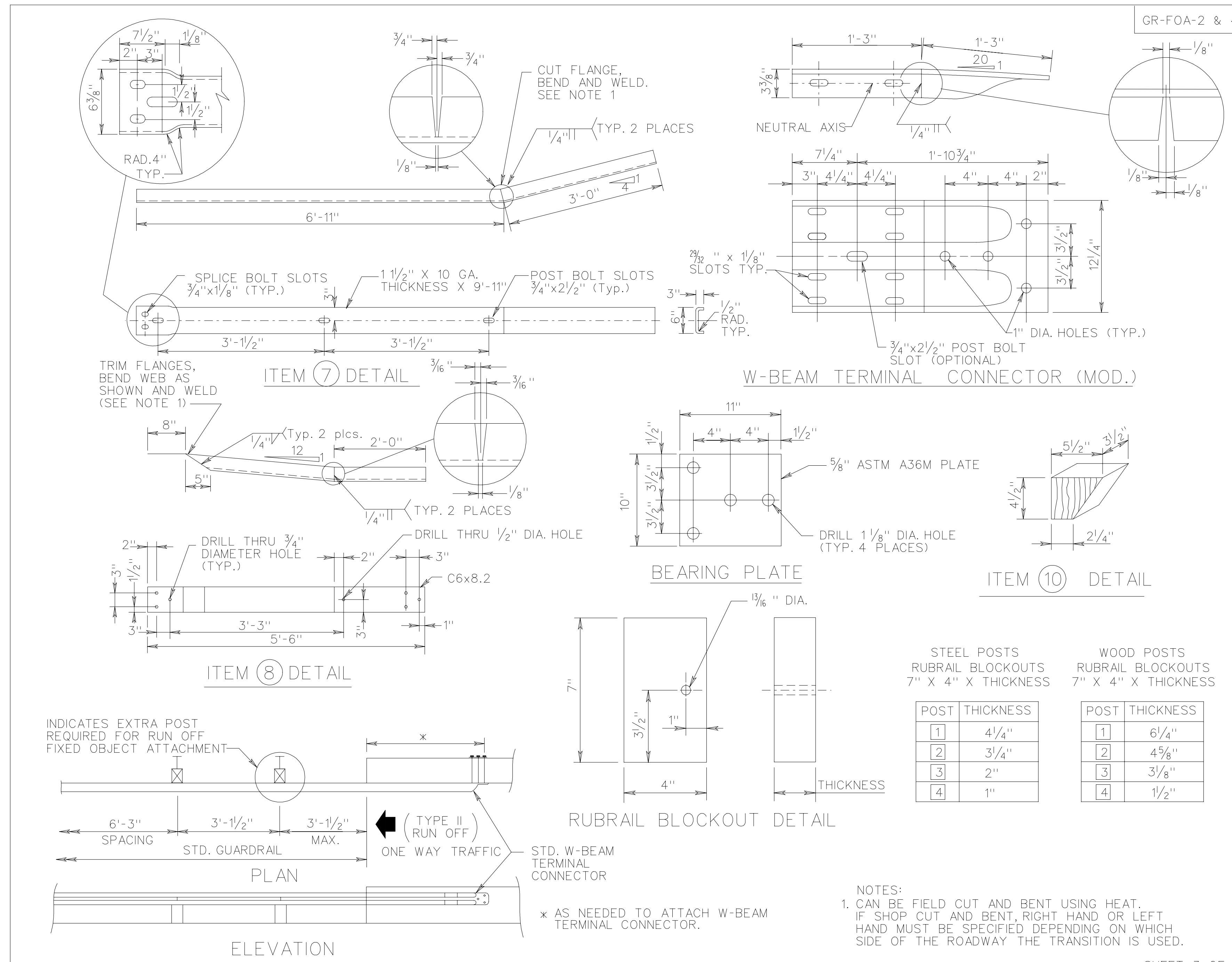


SURVEYED BY -----
SUPERVISED BY -----
DESIGNED BY -----

DESIGN FEATURES RELATING TO CONSTRUCTION OR TO REGULATION AND CONTROL OF TRAFFIC MAY BE SUBJECT TO CHANGE AS DEEMED NECESSARY BY THE DEPARTMENT

| REVISED | STATE | FEDERAL AID | | STATE | | SHEET NO. |
|---------|-------|-------------|-------|---------|---------|-----------|
| | | PROJECT | ROUTE | PROJECT | PROJECT | |
| | VH | | | | | |



| | | | | | |
|-------------------------|-----|---|---------------------------------------|-----------|--------|
| SPECIFICATION REFERENCE | 506 | W BEAM GUARDRAIL - FIXED OBJECT ATTACHMENT RUBRAIL AND HARDWARE DETAILS | VIRGINIA DEPARTMENT OF TRANSPORTATION | REV. 9/06 | 501.30 |
|-------------------------|-----|---|---------------------------------------|-----------|--------|

SHEET 3 OF 3

NEW 9/06
 SPECIAL DESIGN SECTION
 DRAWING NO. A-66_2

| | | | |
|----------|---------|----------|-----------|
| PLAN NO. | PROJECT | FILE NO. | SHEET NO. |
|----------|---------|----------|-----------|