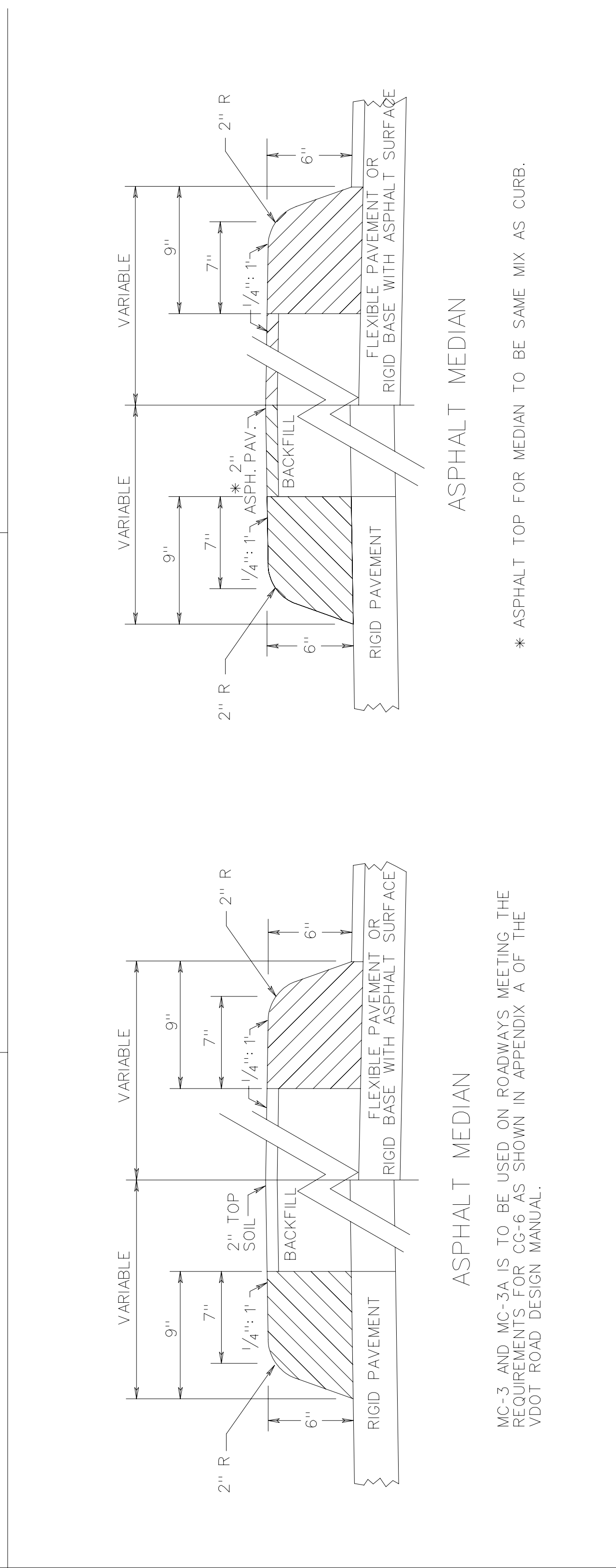
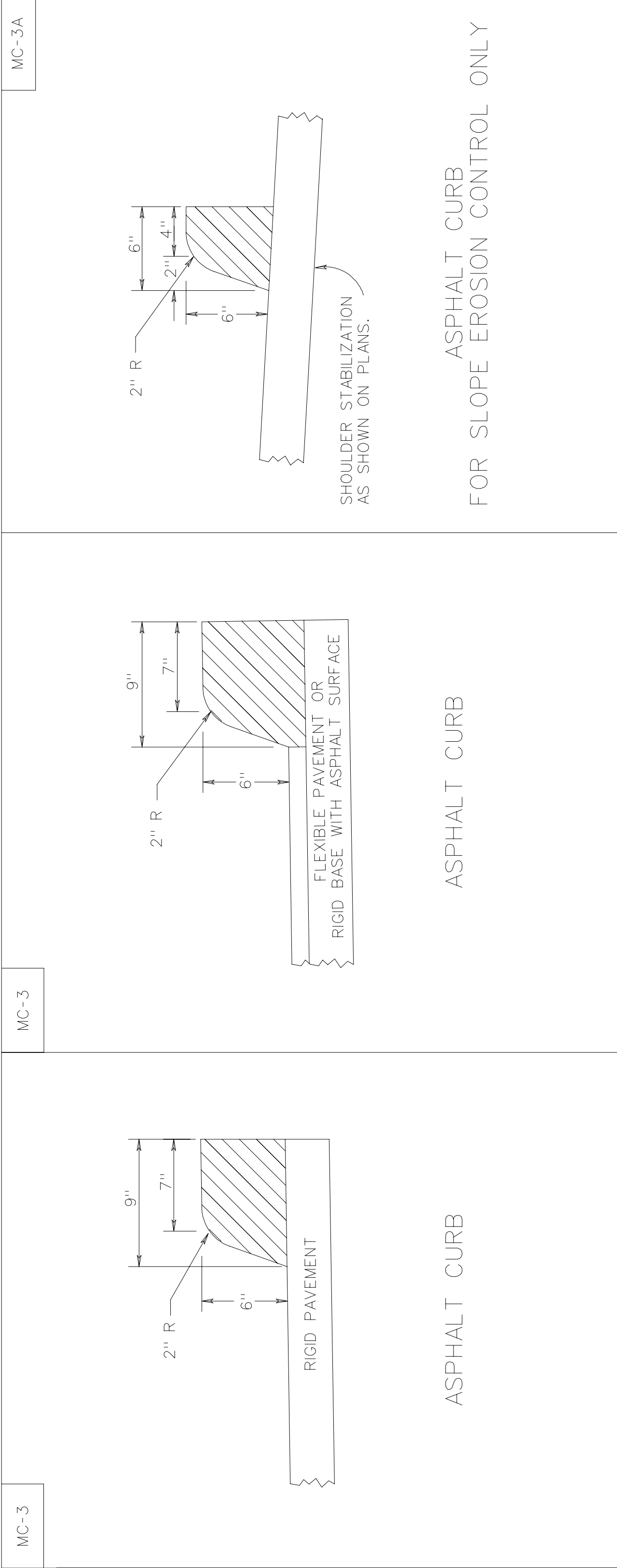


SURVEYED BY _____
SUPERVISED BY _____
DESIGNED BY _____

DESIGN FEATURES RELATING TO CONSTRUCTION OR TO REGULATION AND CONTROL OF TRAFFIC MAY BE SUBJECT TO CHANGE AS DEEMED NECESSARY BY THE DEPARTMENT

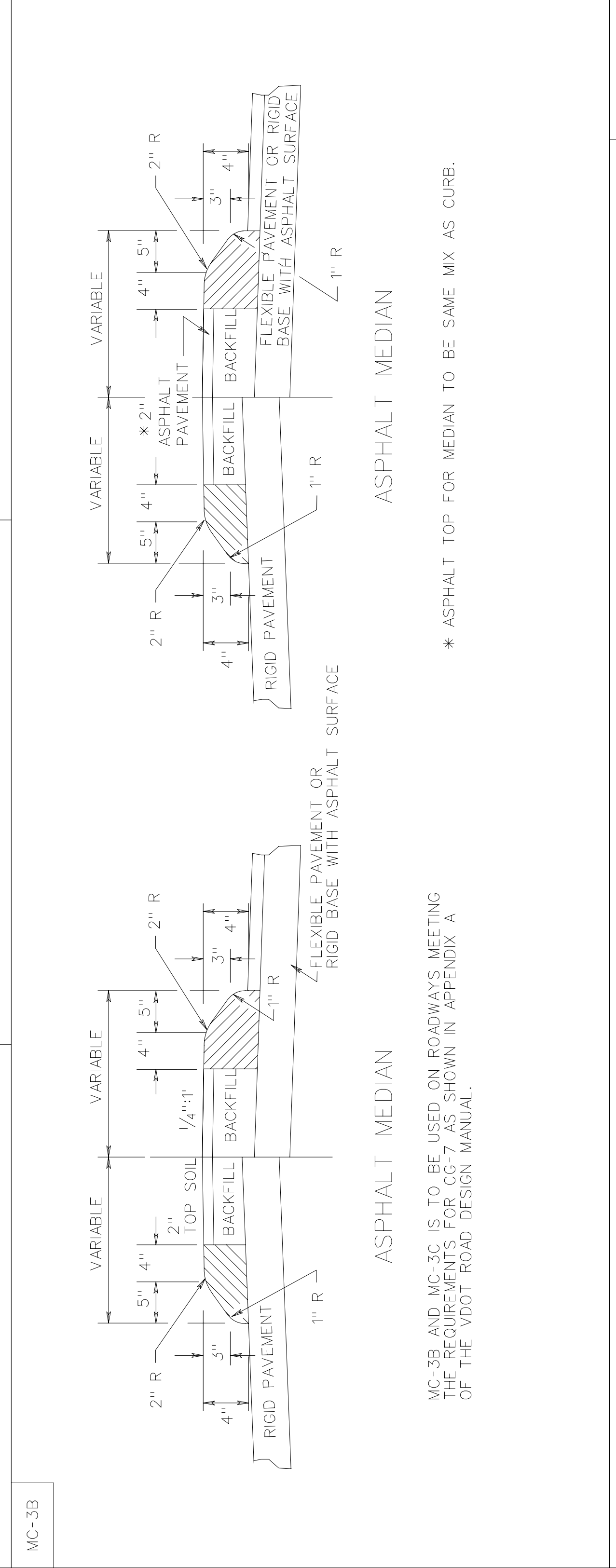
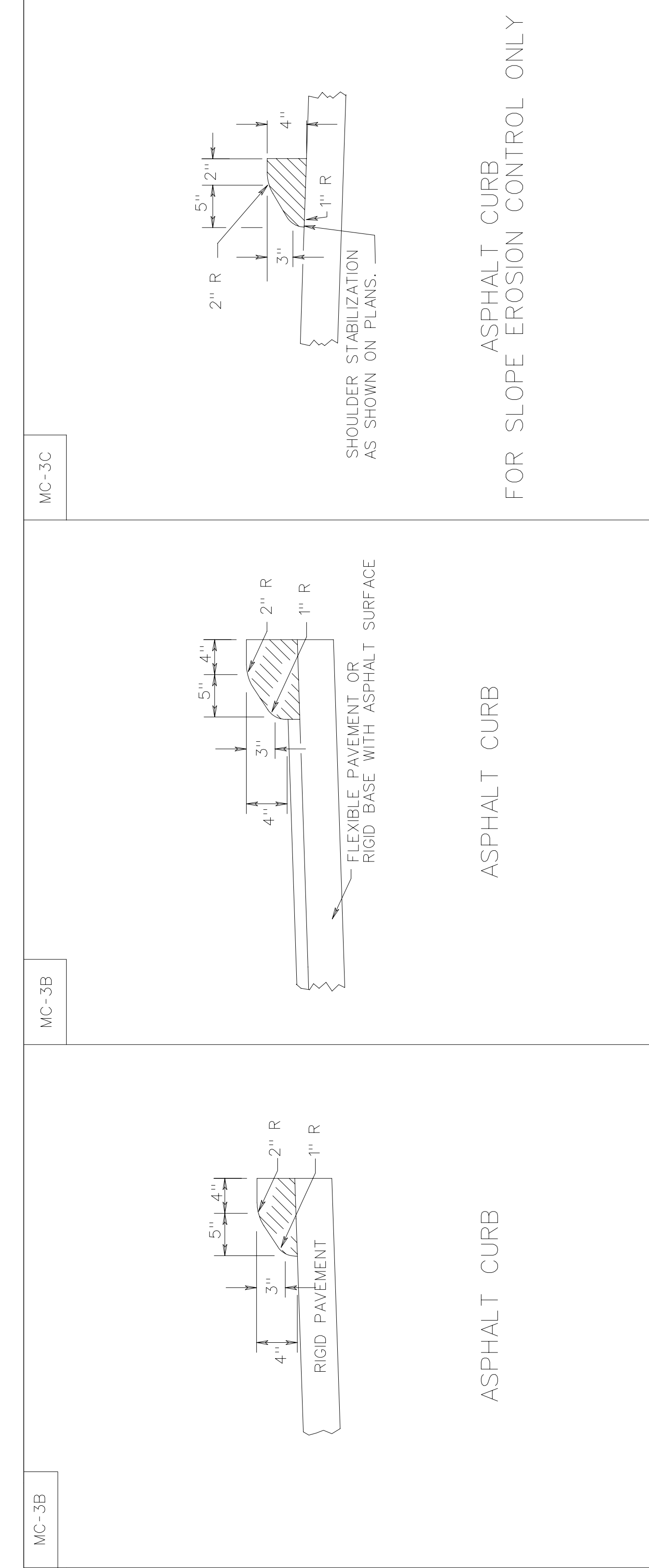
REVISED	STATE	FEDERAL AID		STATE		SHEET NO.
		PROJECT	ROUTE	PROJECT	PROJECT	
	VH.					



ASPHALT CONCRETE CURB AND MEDIAN FOR TEMPORARY OR PERMANENT INSTALLATION

VIRGINIA DEPARTMENT OF TRANSPORTATION

REV. 9/06
201.05



ASPHALT CONCRETE CURB AND MEDIAN FOR TEMPORARY OR PERMANENT INSTALLATION

VIRGINIA DEPARTMENT OF TRANSPORTATION

REV. 9/06
201.06

SPECIAL DESIGN SECTION
DRAWING NO. A-181

PLAN NO.	PROJECT	FILE NO.	SHEET NO.

SPECIFICATION REFERENCE
502