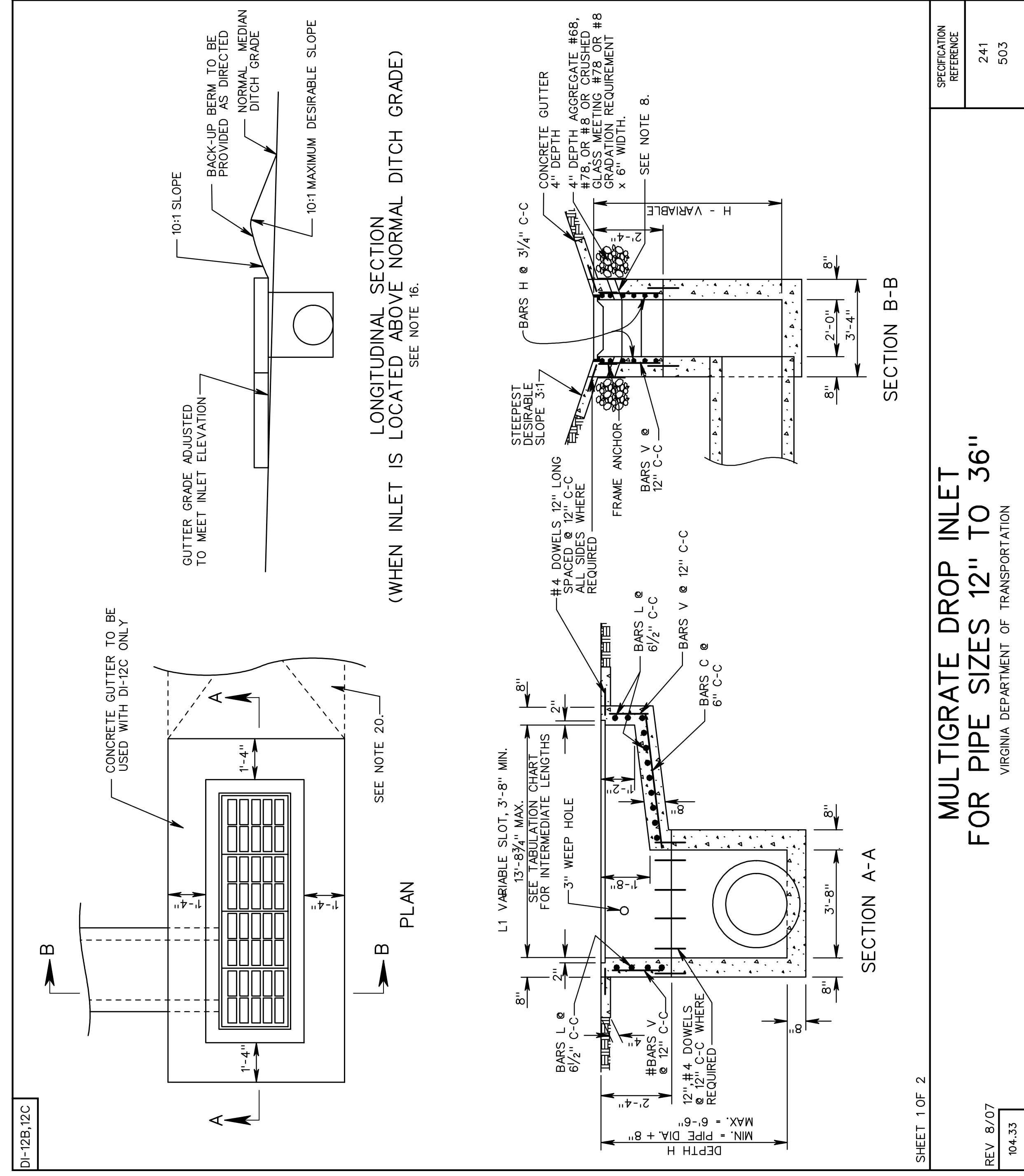


SURVEYED BY _____
SUPERVISED BY _____
DESIGNED BY _____

DESIGN FEATURES RELATING TO CONSTRUCTION OR TO REGULATION AND CONTROL OF TRAFFIC MAY BE SUBJECT TO CHANGE AS DEEMED NECESSARY BY THE DEPARTMENT

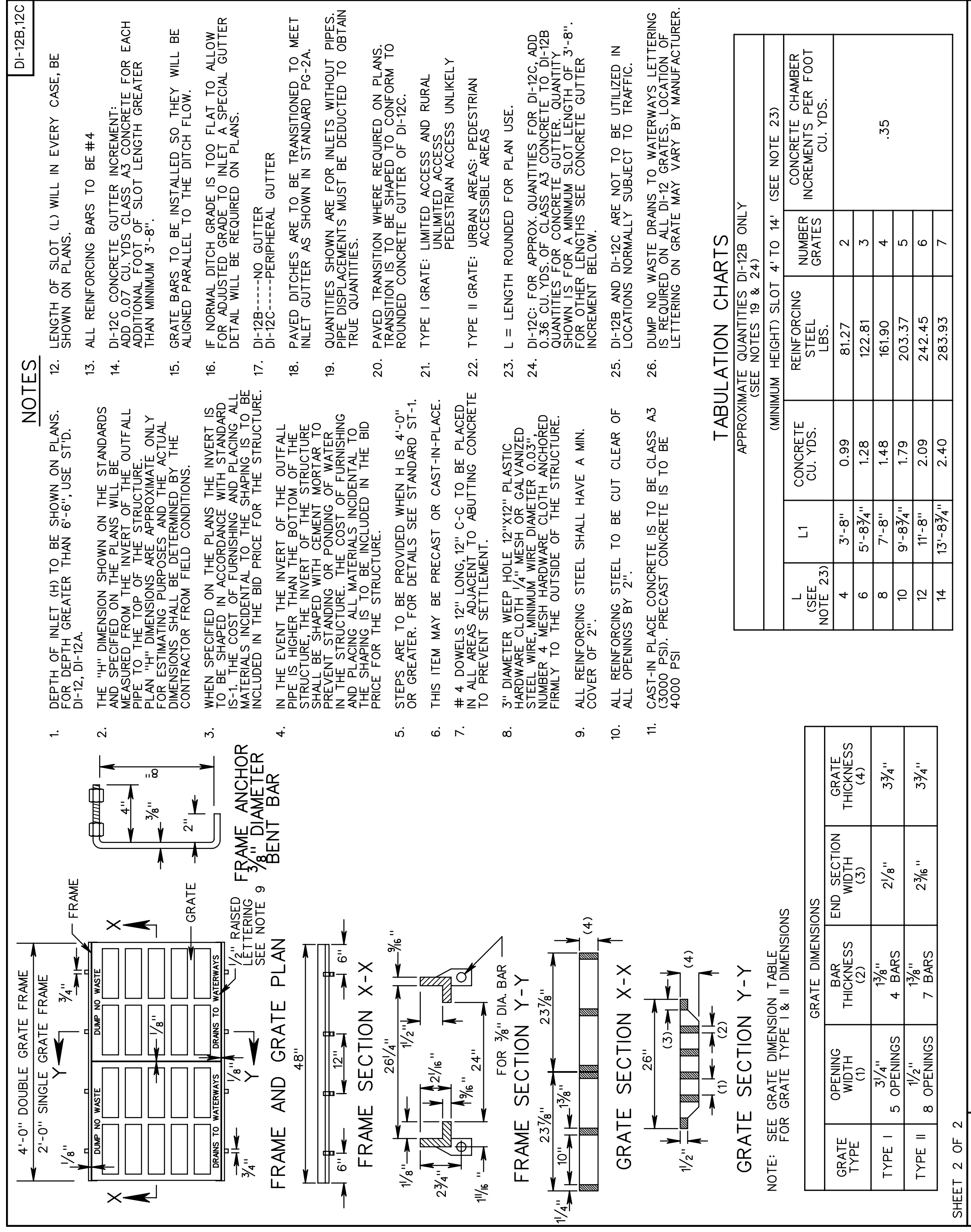
REVISED	STATE	FEDERAL AID		STATE		SHEET NO.
		PROJECT	ROUTE	PROJECT	PROJECT	
	VA.					



**MULTIGRATE DROP INLET
FOR PIPE SIZES 12" TO 36"**
VIRGINIA DEPARTMENT OF TRANSPORTATION

SHEET 1 OF 2
REV 8/07
104.33

SPECIFICATION REFERENCE
241
503



**MULTIGRATE DROP INLET
FOR PIPE SIZES 12" TO 36"**
VIRGINIA DEPARTMENT OF TRANSPORTATION

SHEET 2 OF 2
REV 8/07
104.33

SPECIFICATION REFERENCE
241
503

NOTES

- DEPTH OF INLET (H) TO BE SHOWN ON PLANS. DI-12B, DI-12C, DI-12D, DI-12E, DI-12F, DI-12G, DI-12H, DI-12I, DI-12J, DI-12K, DI-12L, DI-12M, DI-12N, DI-12O, DI-12P, DI-12Q, DI-12R, DI-12S, DI-12T, DI-12U, DI-12V, DI-12W, DI-12X, DI-12Y, DI-12Z.
- LENGTH OF SLOT (L) WILL IN EVERY CASE, BE SHOWN ON PLANS.
- ALL REINFORCING BARS TO BE # 4.
- DI-12C CONCRETE GUTTER INCREMENT: CONCRETE GUTTER INCREMENT SHALL BE AN ADDITIONAL FOOT OF SLOT LENGTH GREATER THAN MINIMUM 3'-8".
- GRATE BARS TO BE INSTALLED SO THEY WILL BE ALIGNED PARALLEL TO THE DITCH FLOW.
- IF NORMAL DITCH GRADE IS TOO FLAT TO ALLOW FOR ADJUSTED GRADE TO INLET A SPECIAL GUTTER DETAIL WILL BE REQUIRED ON PLANS.
- DI-12B-----PERIPHERAL GUTTER
- PAVED DITCHES ARE TO BE TRANSITIONED TO MEET INLET GUTTER AS SHOWN IN STANDARD PG-2A.
- QUANTITIES SHOWN ARE FOR INLETS WITHOUT PIPES. PIPE DISPLACEMENTS MUST BE DEDUCTED TO OBTAIN TRUE QUANTITIES.
- PAVED TRANSITION WHERE REQUIRED ON PLANS. TRANSITION IS TO BE SHAPED TO CONFORM TO ROUNDED CONCRETE GUTTER OF DI-12C.
- TYPE I GRATE: LIMITED ACCESS AND RURAL UNLIMITED ACCESS
- TYPE II GRATE: URBAN AREAS; PEDESTRIAN ACCESSIBLE AREAS
- L = LENGTH ROUNDED FOR PLAN USE.
- DI-12C: FOR APPROX. QUANTITIES FOR DI-12C, ADD 0.36 CU. YDS. OF CLASS A3 CONCRETE TO DI-12B QUANTITIES FOR CONCRETE GUTTER. QUANTITY SHOWN IS FOR A MINIMUM SLOT LENGTH OF 3'-8". INLET LENGTHS SEE CONCRETE GUTTER INCREMENT BELOW.
- DI-12B AND DI-12C ARE NOT TO BE UTILIZED IN LOCATIONS NORMALLY SUBJECT TO TRAFFIC.
- DUMP NO. WASTE DRAINS TO WATERWAYS LETTERING IS REQUIRED ON ALL DI-12 GRATES. LOCATION OF LETTERING ON GRATE MAY VARY BY MANUFACTURER.

TABLULATION CHARTS

APPROXIMATE QUANTITIES DI-12B ONLY
(SEE NOTES 19 & 24)

L (SEE NOTE 23)	CONCRETE CU. YDS.	REINFORCING STEEL LBS.	CONCRETE CHAMBER INCREMENT'S PER FOOT CU. YDS.	
			GRATES	2
4	0.99	81.27	2	
6	5'-8 3/4"	1.28	122.81	3
8	7'-8"	1.48	161.90	4
10	9'-8 3/4"	1.79	203.37	5
12	11'-8"	2.09	242.45	6
14	13'-8 3/4"	2.40	283.93	7

GRATE DIMENSIONS

GRATE TYPE	OPENING WIDTH (1)	BAR THICKNESS (2)	END SECTION WIDTH (3)	GRATE THICKNESS (4)
TYPE I	3 1/2"	1 3/4"	2 7/8"	3 3/4"
TYPE II	1 1/2"	1 1/8"	2 3/8"	3 3/4"

**MULTIGRATE DROP INLET
FOR PIPE SIZES 12" TO 36"**
VIRGINIA DEPARTMENT OF TRANSPORTATION

SHEET 2 OF 2
REV 8/07
104.33

SPECIFICATION REFERENCE
241
503

PLAN NO.	PROJECT	FILE NO.	SHEET NO.