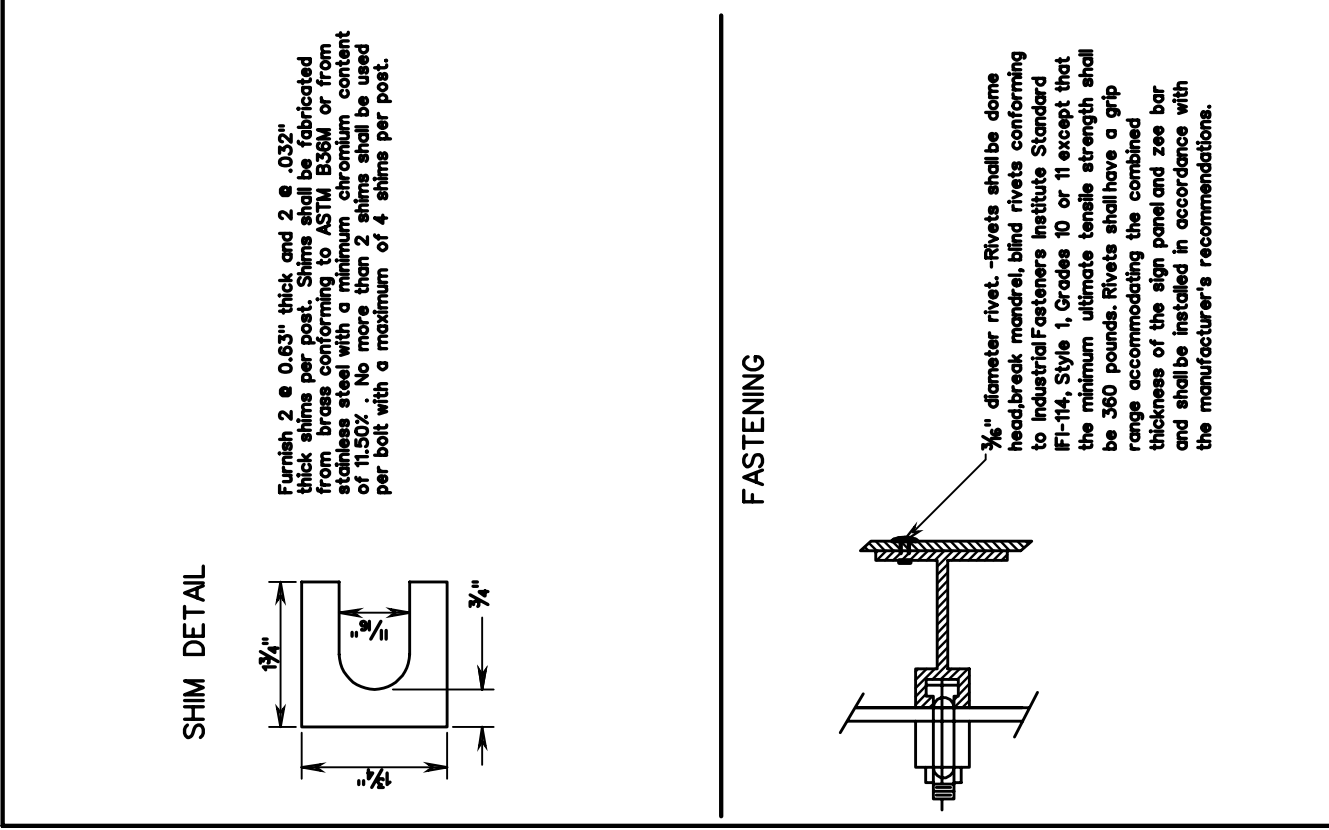
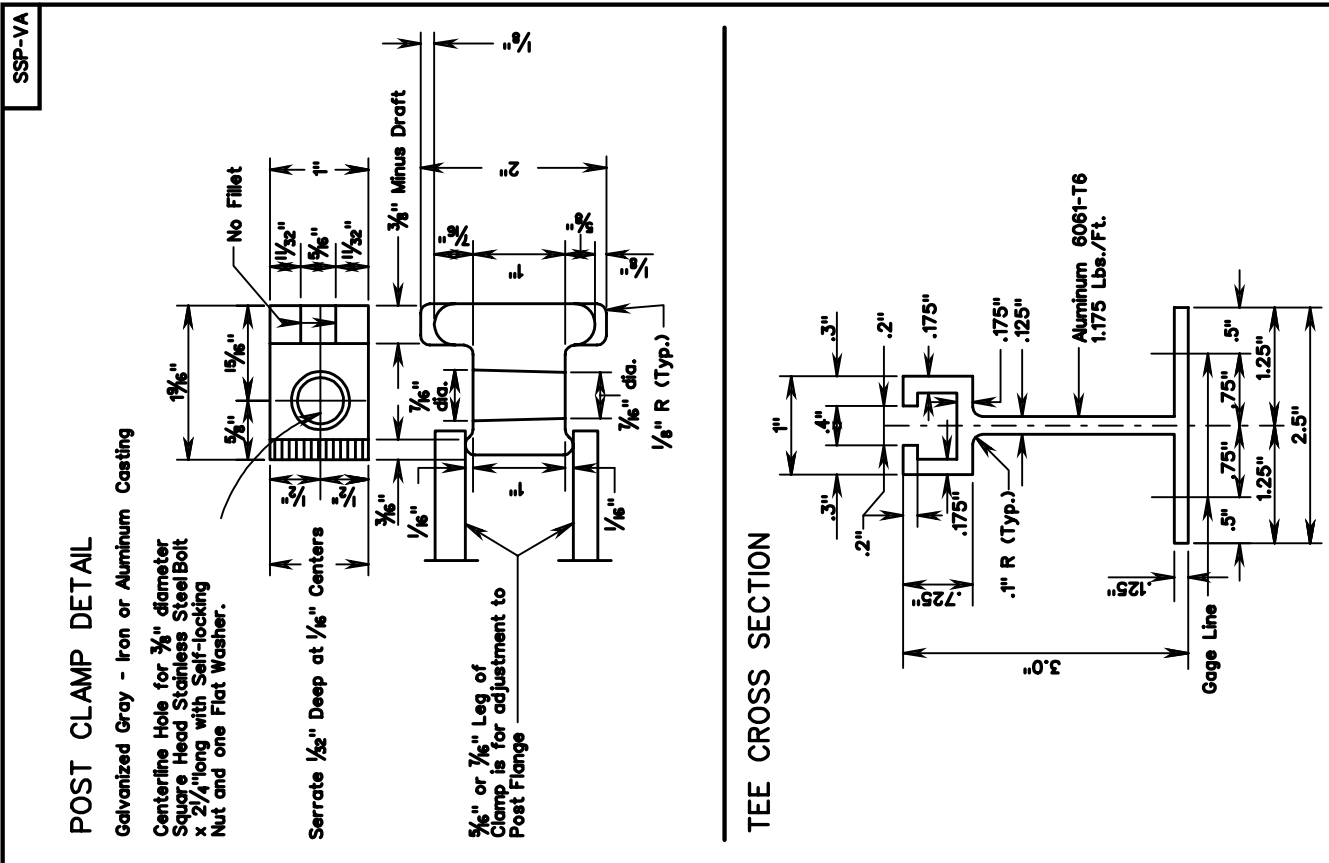


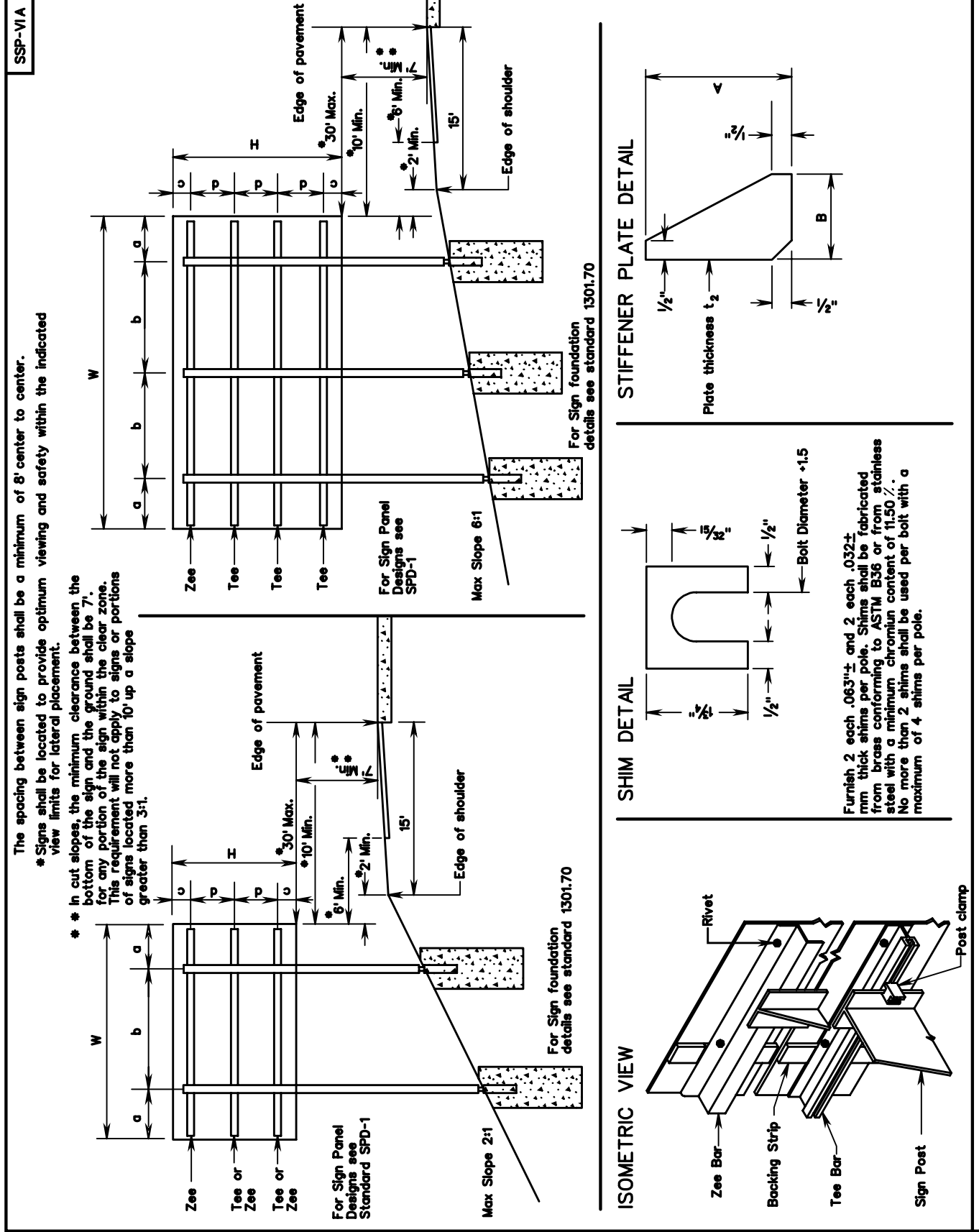
SURVEYED BY _____
SUPERVISED BY AAA
DESIGNED BY BBB

DESIGN FEATURES RELATING TO CONSTRUCTION OR TO REGULATION AND CONTROL OF TRAFFIC MAY BE SUBJECT TO CHANGE AS DEEMED NECESSARY BY THE DEPARTMENT

REVISED	FEDERAL AID		STATE		SHEET NO.
	PROJECT	ROUTE	PROJECT		
	VA.				



TYPICAL DETAILS FOR TYPE VA SIGN STRUCTURES
VIRGINIA DEPARTMENT OF TRANSPORTATION
REV. 7/05
REV. 4/04
1301.63



TYPICAL DETAILS FOR TYPE VIA INTERSTATE SIGN STRUCTURE
VIRGINIA DEPARTMENT OF TRANSPORTATION
REV. 7/05
REV. 4/04
1301.67

SPECIAL DESIGN SECTION
DRAWING NO. A-156

PLAN NO.	PROJECT	FILE NO.	SHEET NO.

NEW 4/04
REV 7/05