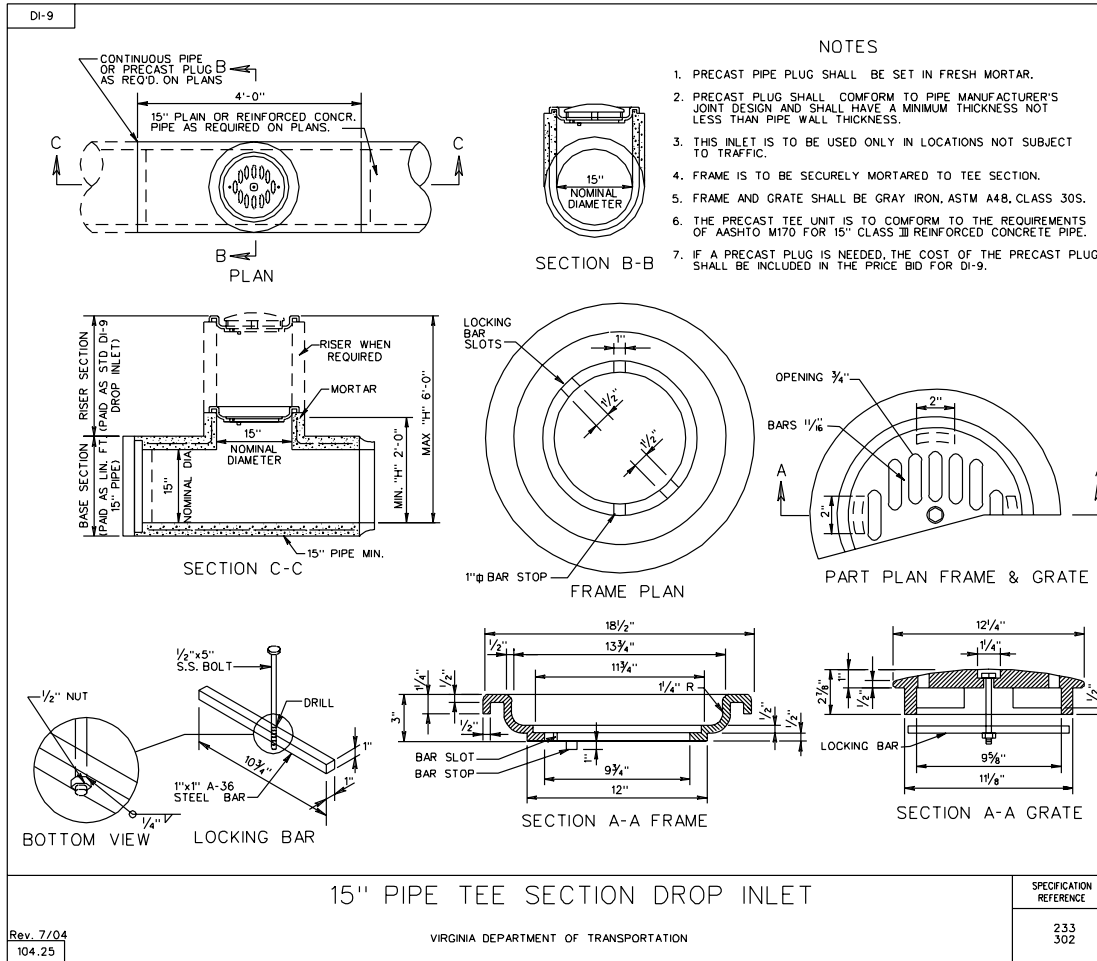


SURVEYED BY _____
 SUPERVISED BY _____
 DESIGNED BY _____

DESIGN FEATURES RELATING TO CONSTRUCTION OR TO REGULATION AND CONTROL OF TRAFFIC MAY BE SUBJECT TO CHANGE AS DEEMED NECESSARY BY THE DEPARTMENT

REVISED	STATE	FEDERAL AID PROJECT	ROUTE	STATE PROJECT	SHEET NO.
	VA.				



New 7/04
 SPECIAL DESIGN SECTION
 DRAWING NO. A-158

PLAN NO.	PROJECT	FILE NO.	SHEET NO.