

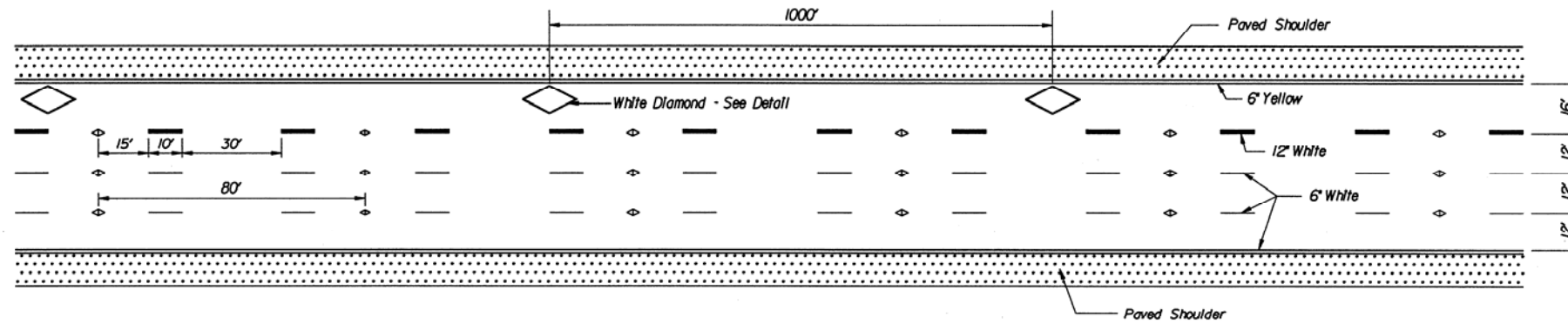
SURVEYED BY \_\_\_\_\_  
 SUPERVISED BY \_\_\_\_\_  
 DESIGNED BY \_\_\_\_\_

DESIGN FEATURES RELATING TO CONSTRUCTION OR TO REGULATION AND CONTROL OF TRAFFIC MAY BE SUBJECT TO CHANGE AS DEEMED NECESSARY BY THE DEPARTMENT

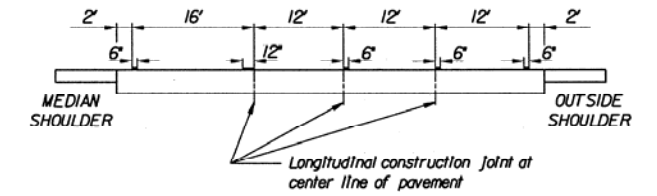
REVISED	FHWA REGION	STATE	FEDERAL AID PROJECT		STATE PROJECT		SHEET NO.
			ROUTE	PROJECT	ROUTE	PROJECT	

Section III - Marking, Markers and Delineation

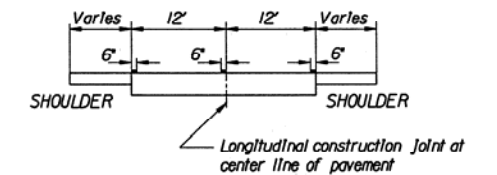
Appendix IIIA-2



TYPICAL PAVEMENT MARKINGS & MARKERS FOR CONCURRENT FLOW LANES

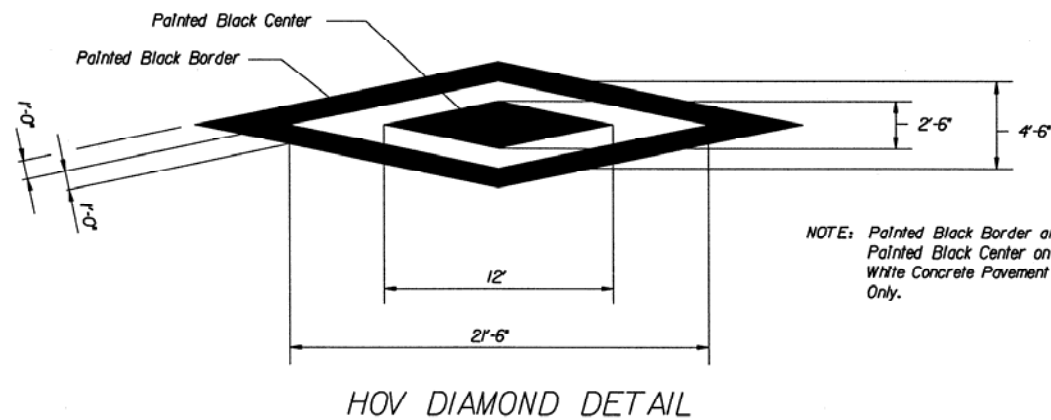


TYPICAL MAINLINE



TYPICAL C-D ROAD

LATERAL PLACEMENT FOR PAVEMENT LINE MARKING



PAVEMENT MARKINGS, MARKERS, & DELINEATORS DETAILS

PLAN NO.	PROJECT	FILE NO.	SHEET NO.
A			