

9/2/2014  
9:13:00 AM

Roundabout Detail(1)1.dgn  
Plotted By: stewartwillis

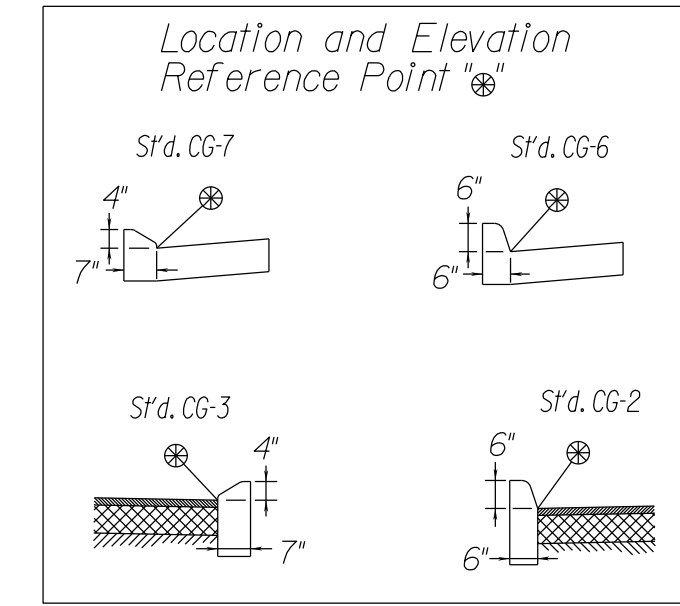
PROJECT MANAGER \_\_\_\_\_  
SURVEYED BY \_\_\_\_\_  
DESIGN SUPERVISED BY \_\_\_\_\_  
DESIGNED BY \_\_\_\_\_

# ROUNABOUT DETAILS

REVISED	STATE		PROJECT	SHEET NO.
	VA.	XXX		
	XXX	XXXX-XXX-XXX, RW-20X M-50X		21

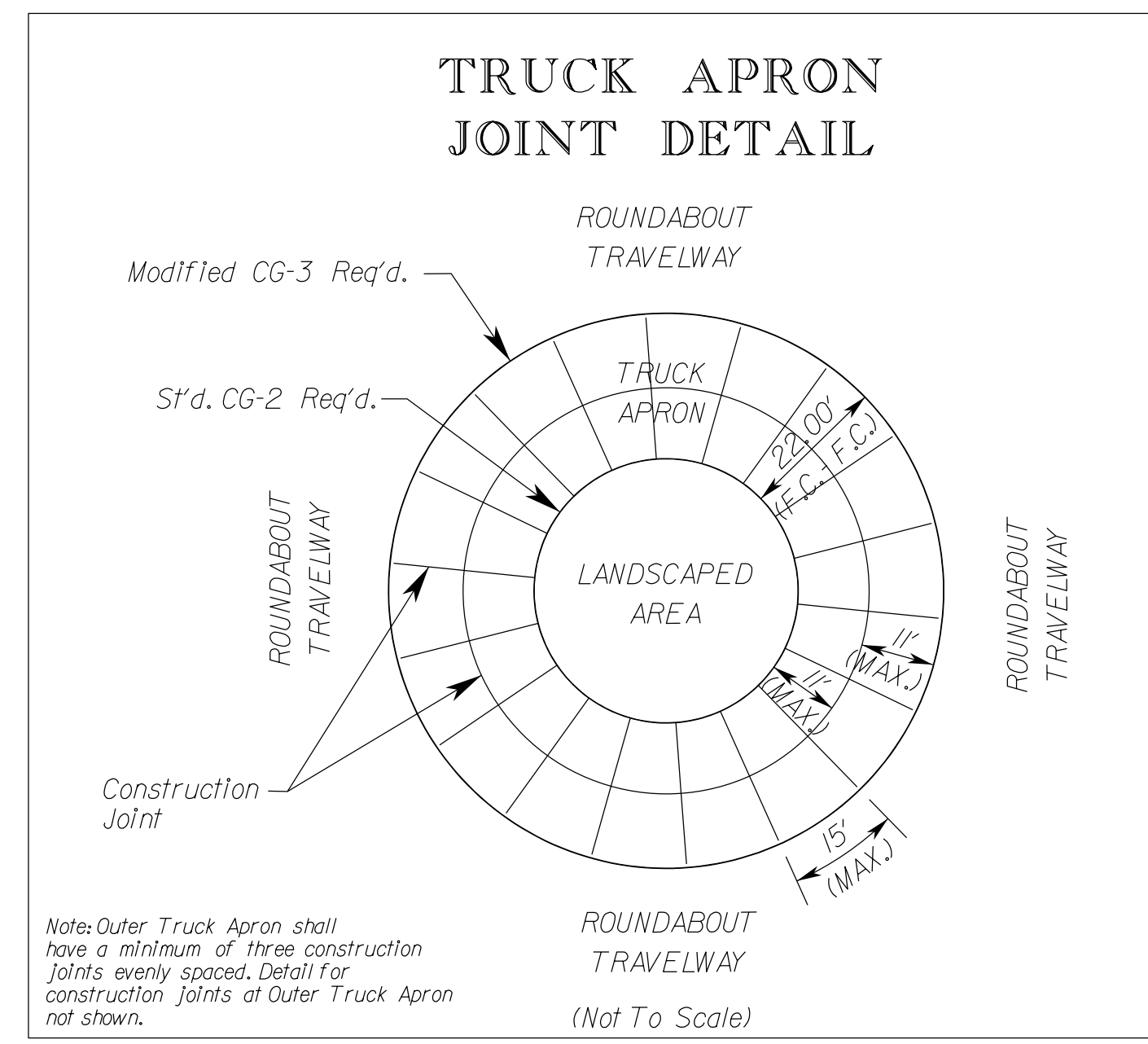
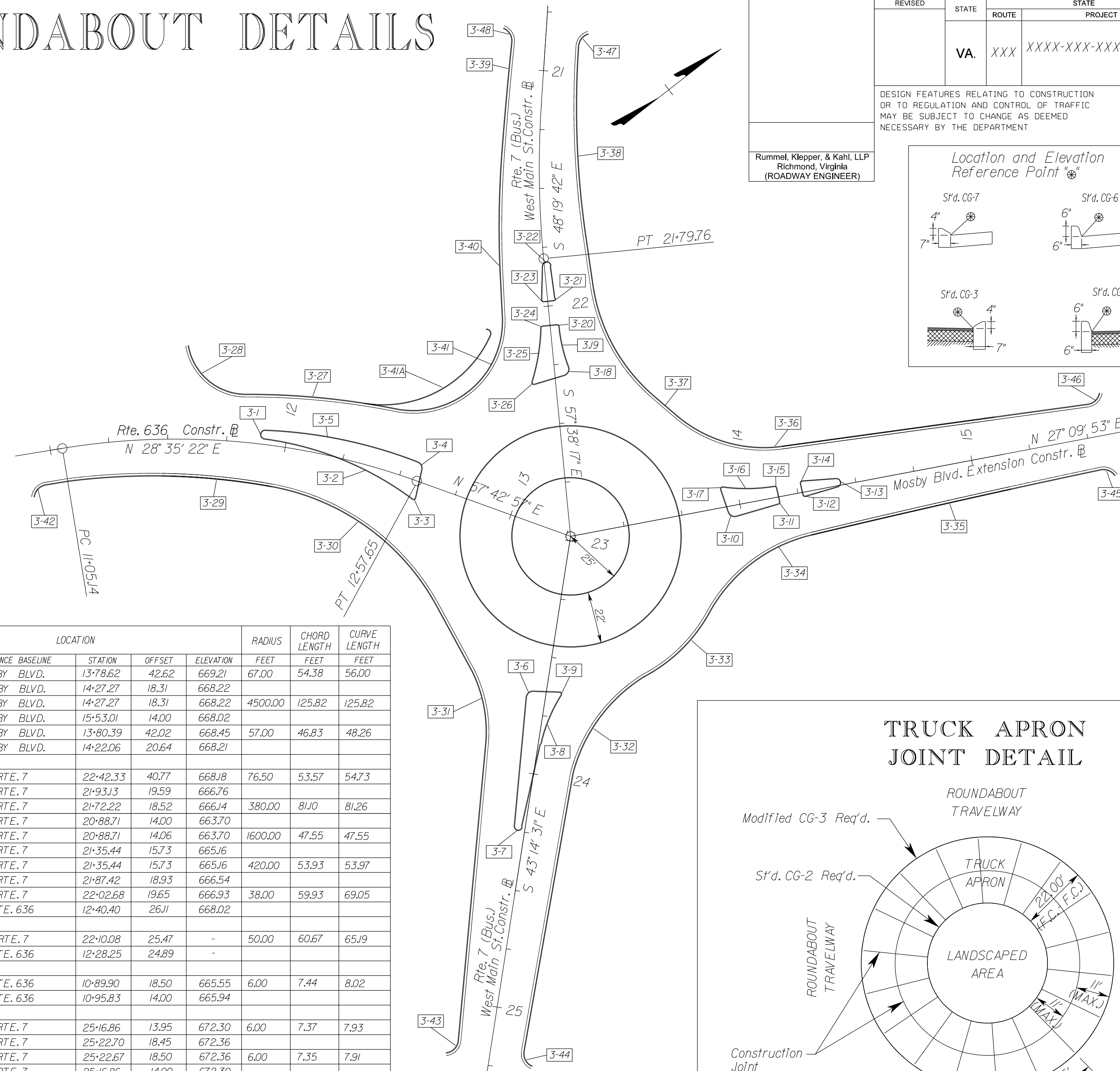
DESIGN FEATURES RELATING TO CONSTRUCTION OR TO REGULATION AND CONTROL OF TRAFFIC MAY BE SUBJECT TO CHANGE AS DEEMED NECESSARY BY THE DEPARTMENT

Rummel, Klepper, & Kahl, LLP  
Richmond, Virginia  
(ROADWAY ENGINEER)



REF. NO.	LOCATION				RADIUS	CHORD LENGTH	CURVE LENGTH
SHEET - ITEM	REFERENCE BASELINE	STATION	OFFSET	ELEVATION	FEET	FEET	FEET
3-1 (P.C.C.)	RTE. 636	11+90.71	6.17	668.42	2.00	4.00	6.10
3-1 (P.R.C.)	RTE. 636	11+90.85	2.17	668.50			
3-2 (P.R.C.)	RTE. 636	11+90.85	2.17	668.50	135.00	67.60	68.21
3-2 (P.R.C.)	RTE. 636	12+58.47	7.98	668.94			
3-3 (P.R.C.)	RTE. 636	12+58.47	7.98	668.94	2.00	1.68	1.99
3-3 (P.T.)	RTE. 636	12+59.75	6.90	668.89			
3-4 (P.C.)	RTE. 636	12+58.19	5.23	668.73	3.00	3.90	4.25
3-4 (P.C.C.)	RTE. 636	12+55.35	7.85	668.64			
3-5 (P.C.C.)	RTE. 636	12+55.35	7.85	668.64	200.00	66.04	66.35
3-5 (P.C.C.)	RTE. 636	11+90.71	2.17	668.42			
3-6 (P.C.)	RTE. 7	23+65.22	5.55	670.31	3.00	4.12	4.54
3-6 (P.T.)	RTE. 7	23+68.38	8.18	670.29			
3-7 (P.C.)	RTE. 7	24+22.89	4.78	671.17	1.82	3.64	5.71
3-7 (P.T.)	RTE. 7	24+22.94	1.14	671.25			
3-8 (P.C.)	RTE. 7	23+87.13	1.29	670.70	66.00	22.49	22.60
3-8 (P.R.C.)	RTE. 7	23+65.27	6.56	670.31			
3-9 (P.R.C.)	RTE. 7	23+65.27	6.56	670.31	2.00	1.73	2.10
3-9 (P.T.)	RTE. 7	23+63.88	5.52	670.33			
3-10 (P.C.)	MOSBY BLVD.	13+94.39	2.30	668.90	3.00	4.15	4.58
3-10 (P.T.)	MOSBY BLVD.	13+97.65	4.85	668.85			
3-11 (P.C.)	MOSBY BLVD.	14+5.99	3.11	668.73	1.00	1.37	1.51
3-11 (P.T.)	MOSBY BLVD.	14+6.90	2.07	668.74			
3-12 (P.C.)	MOSBY BLVD.	14+26.86	1.00	668.69	1.00	1.46	1.63
3-12 (P.T.)	MOSBY BLVD.	14+27.96	1.96	668.66			
3-13 (P.C.)	MOSBY BLVD.	14+41.86	0.62	668.61	1.93	3.86	5.78
3-13 (P.T.)	MOSBY BLVD.	14+42.01	3.23	668.56			
3-14 (P.C.)	MOSBY BLVD.	14+27.80	4.85	668.60	1.00	1.52	1.72
3-14 (P.T.)	MOSBY BLVD.	14+26.69	3.82	668.63			
3-15 (P.C.)	MOSBY BLVD.	14+6.68	3.91	668.71	1.00	1.37	1.51
3-15 (P.R.C.)	MOSBY BLVD.	14+5.71	4.87	668.69			
3-16 (P.R.C.)	MOSBY BLVD.	14+5.71	4.87	668.69	74.50	21.72	21.80
3-16 (P.R.C.)	MOSBY BLVD.	13+94.32	8.66	668.83			
3-17 (P.R.C.)	MOSBY BLVD.	13+94.32	8.66	668.83	1.00	1.70	2.03
3-17 (P.T.)	MOSBY BLVD.	13+93.01	7.57	668.88			
3-18 (P.C.)	RTE. 7	22+30.07	3.87	667.85	3.00	4.43	4.98
3-18 (P.C.C.)	RTE. 7	22+26.29	6.17	667.83			
3-19 (P.C.C.)	RTE. 7	22+26.29	6.17	667.83	64.59	17.35	17.41
3-19 (P.R.C.)	RTE. 7	22+09.09	3.86	667.49			
3-20 (P.R.C.)	RTE. 7	22+09.09	3.86	667.49	1.00	1.42	1.57
3-20 (P.T.)	RTE. 7	22+08.09	2.86	667.48			
3-21 (P.C.)	RTE. 7	21+98.09	2.47	667.25	1.00	1.44	1.61
3-21 (P.T.)	RTE. 7	21+97.05	3.46	667.21			
3-22 (P.C.)	RTE. 7	21+83.09	2.90	666.87	1.91	3.82	5.75
3-22 (P.T.)	RTE. 7	21+82.82	0.91	666.90			
3-23 (P.C.)	RTE. 7	21+96.97	2.65	667.20	1.00	1.50	1.69
3-23 (P.T.)	RTE. 7	21+98.09	1.66	667.25			
3-24 (P.C.)	RTE. 7	22+08.09	3.14	667.48	1.00	1.32	1.45
3-24 (P.R.C.)	RTE. 7	22+08.96	4.13	667.47			
3-25 (P.R.C.)	RTE. 7	22+08.96	4.13	667.47	85.11	23.03	23.10
3-25 (P.R.C.)	RTE. 7	22+31.22	10.04	668.00			
3-26 (P.R.C.)	RTE. 7	22+31.22	10.04	668.00	1.00	1.76	2.16
3-26 (P.T.)	RTE. 7	22+32.59	8.93	668.00			
3-27 (P.R.C.)	RTE. 636	12+28.25	24.89	667.89	320.00	50.41	50.47
3-27 (P.R.C.)	RTE. 636	11+81.51	20.15	667.86			
3-28 (P.R.C.)	RTE. 636	11+81.51	20.15	667.86	25.00	32.36	35.19
3-28 (P.T.)	RTE. 636	11+58.05	39.70	666.43			
3-29 (P.C.)	RTE. 636	11+05.14	14.00	666.25	283.00	86.59	86.93
3-29 (P.C.C.)	RTE. 636	11+96.70	17.16	668.15			
3-30 (P.C.C.)	RTE. 636	11+96.70	17.16	668.15	100.00	86.32	89.52
3-30 (P.T.)	RTE. 636	12+83.54	46.84	669.42			
3-31 (P.C.)	RTE. 7	23+60.20	32.84	669.80	58.00	32.49	32.93
3-31 (P.T.)	RTE. 7	23+90.76	21.81	670.22			
3-32 (P.C.)	RTE. 7	23+97.09	16.36	670.44	69.00	51.03	52.27
3-32 (P.R.C.)	RTE. 7	23+51.85	39.95	669.82			
3-33 (P.R.C.)	RTE. 7	23+51.85	39.95	669.82	66.94	38.60	39.15
3-33 (P.R.C.)	RTE. 7	23+20.89	63.00	669.21			

REF. NO.	LOCATION				RADIUS	CHORD LENGTH	CURVE LENGTH
SHEET - ITEM	REFERENCE BASELINE	STATION	OFFSET	ELEVATION	FEET	FEET	FEET
3-34 (P.R.C.)	MOSBY BLVD.	13+78.62	42.62	669.21	67.00	54.38	56.00
3-34 (P.C.C.)	MOSBY BLVD.	14+27.27	18.31	668.22			
3-35 (P.C.C.)	MOSBY BLVD.	14+27.27	18.31	668.22	4500.00	125.82	125.82
3-35 (P.C.C.)	MOSBY BLVD.	15+53.01	14.00	668.02			
3-36 (P.C.)	MOSBY BLVD.	13+80.39	42.02	668.45	57.00	46.83	48.26
3-36 (P.T.)	MOSBY BLVD.	14+22.06	20.64	668.21			
3-37 (P.C.)	RTE. 7	22+42.33	40.77	668.18	76.50	53.57	54.73
3-37 (P.T.)	RTE. 7	21+93.13	19.59	666.76			
3-38 (P.C.)	RTE. 7	21+72.22	18.52	666.14	380.00	81.10	81.26
3-38 (P.C.C.)	RTE. 7	20+88.71	14.00	663.70			
3-39 (P.R.C.)	RTE. 7	20+88.71	14.06	663.70	1600.00	47.55	47.55
3-39 (P.C.C.)	RTE. 7	21+35.44	15.73	665.16			
3-40 (P.C.C.)	RTE. 7	21+35.44	15.73	665.16	420.00	53.93	53.97
3-40 (P.R.C.)	RTE. 7	21+87.42	18.93	666.54			
3-41 (P.R.C.)	RTE. 7	22+02.68	19.65	666.93	38.00	59.93	69.05
3-41 (P.R.C.)	RTE. 636	12+40.40	26.11	668.02			
3-41A (P.C.)	RTE. 7	22+10.08	25.47	-	50.00	60.67	65.19
3-41A (P.R.C.)	RTE. 636	12+28.25	24.89	-			
3-42 (P.C.)	RTE. 636	10+89.90	18.50	665.55	6.00	7.44	8.02
3-42 (P.T.)	RTE. 636	10+95.83	14.00	665.94			
3-43 (P.C.)	RTE. 7	25+16.86	13.95	672.30	6.00	7.37	7.93
3-43 (P.T.)	RTE. 7	25+22.70	18.45	672.36			
3-44 (P.T.)	RTE. 7	25+22.67	18.50	672.36	6.00	7.35	7.91
3-44 (P.C.)	RTE. 7	25+16.86	14.00	672.30			
3-45 (P.C.C.)	MOSBY BLVD.	15+53.01	14.00	668.02	6.00	6.69	7.10
3-45 (P.T.)	MOSBY BLVD.	15+58.56	17.73	667.94			
3-46 (P.C.)	MOSBY BLVD.	15+58.65	17.95	667.95	6.00	6.89	7.33
3-46 (P.T.)	MOSBY BLVD.	15+53.01	14.00	668.02			
3-47 (P.C.C.)	RTE. 7	20+88.71	14.00	663.70	6.00	6.89	7.34
3-47 (P.T.)	RTE. 7	20+83.07	17.95	663.37			
3-48 (P.C.)	RTE. 7	20+83.02	18.16	663.37	6.00	7.02	7.50
3-48 (P.C.C.)	RTE. 7	20+88.71	14.06	663.70			



SCALE  
0 25 50

PROJECT	SHEET NO.
XXXX-XXX-XXX	21

FIGURE 2H - 27 SAMPLE ROUNDABOUT DETAIL SHEET