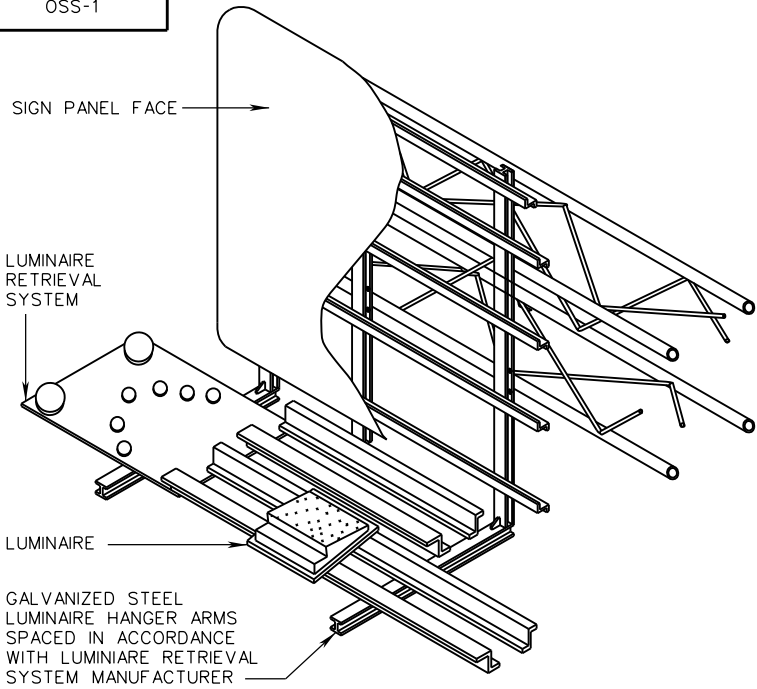
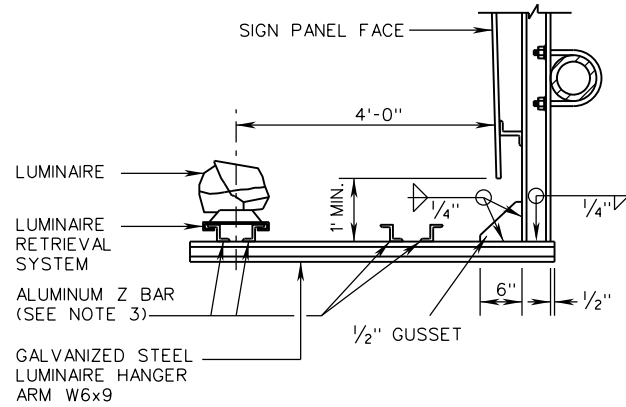


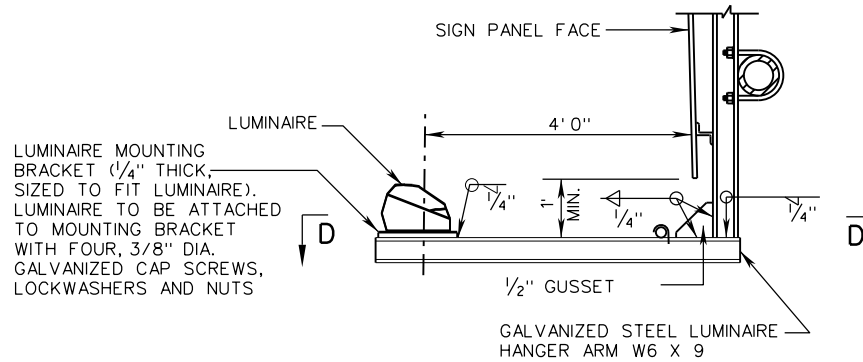
OSS-1



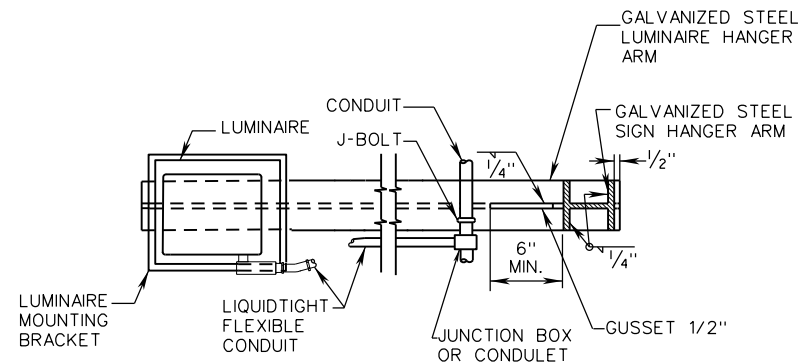
**SIGN HANGER ERECTION DETAIL
(WITH LUMINAIRE RETRIEVAL SYSTEM)**



**LUMINAIRE HANGER DETAIL
(WITH LUMINAIRE RETRIEVAL SYSTEM)**



**LUMINAIRE HANGER DETAIL
(WITHOUT LUMINAIRE RETRIEVAL SYSTEM)**



SECTION D-D

NOTES:

1. LUMINAIRE RETRIEVAL SYSTEM, WHERE REQUIRED IN THE CONTRACT DOCUMENTS, SHALL BE DESIGNED FOR THE NUMBER OF LUMINAIRES INDICATED IN THE CONTRACT DOCUMENTS. SPACING OF HANGERS USED TO SUPPORT THE RETRIEVAL SYSTEM SHALL BE IN ACCORDANCE WITH MANUFACTURER'S RECOMMENDATIONS. TURNTABLE END SHALL BE OF SUFFICIENT LENGTH TO ALIGN WITH THE VERTICAL EDGE OF THE OUTSIDE PAVED SHOULDER (+6") OR SHALL BE EXTENDED 5 FEET BEYOND THE VERTICAL EDGE (+6") OF THE OUTERMOST SIGN LUMINAIRE, WHICHEVER IS GREATER. THE OPPOSITE END OF THE RETRIEVAL SYSTEM SHALL EXTEND A MINIMUM OF 6 INCHES PAST THE OUTERMOST VERTICAL EDGE OF THE SIGN HANGER ARM.
2. LUMINAIRES, WHERE REQUIRED IN THE CONTRACT DOCUMENTS, SHALL BE INSTALLED AND AIMED AS PER MANUFACTURER'S RECOMMENDATIONS.
3. ISOLATION WASHER OR GASKET SHALL BE PROVIDED BETWEEN ALUMINUM AND STEEL SURFACES.

A COPY OF THE ORIGINAL SEALED AND SIGNED DRAWING IS ON FILE IN THE CENTRAL OFFICE.

**OVERHEAD SIGN STRUCTURE
LUMINAIRE HANGER DETAILS**

VIRGINIA DEPARTMENT OF TRANSPORTATION

SPECIFICATION
REFERENCE

700



ROAD AND BRIDGE STANDARDS

SHEET 7 OF 7

REVISION DATE

1324.16

09/18