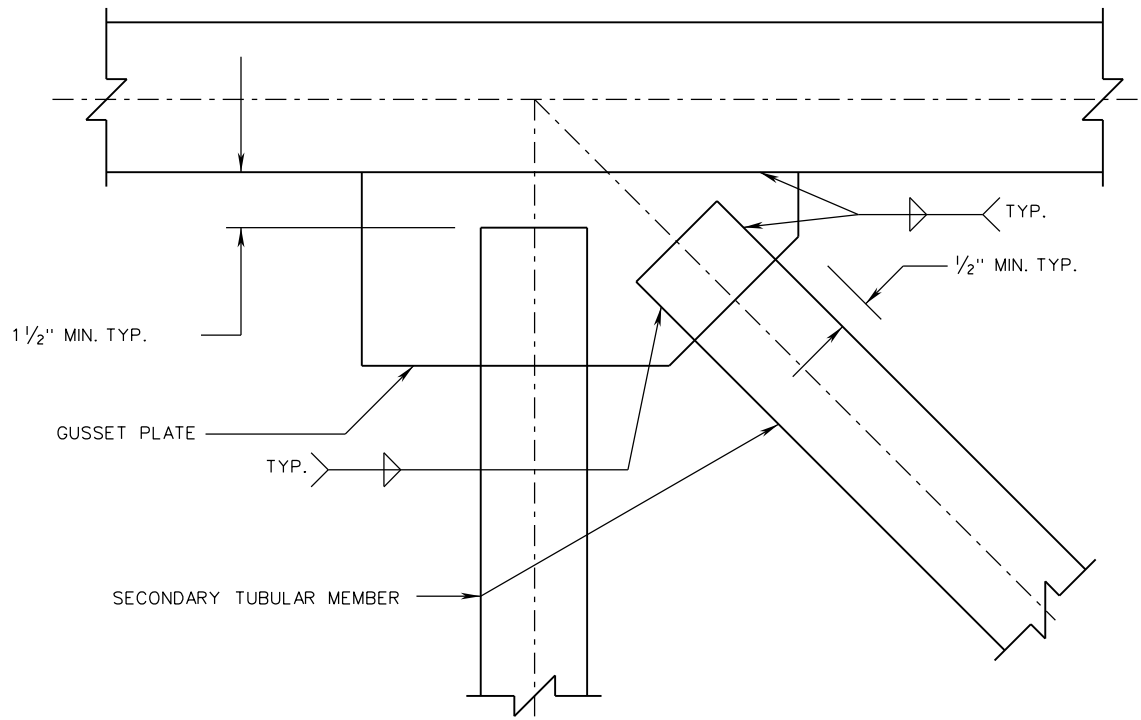
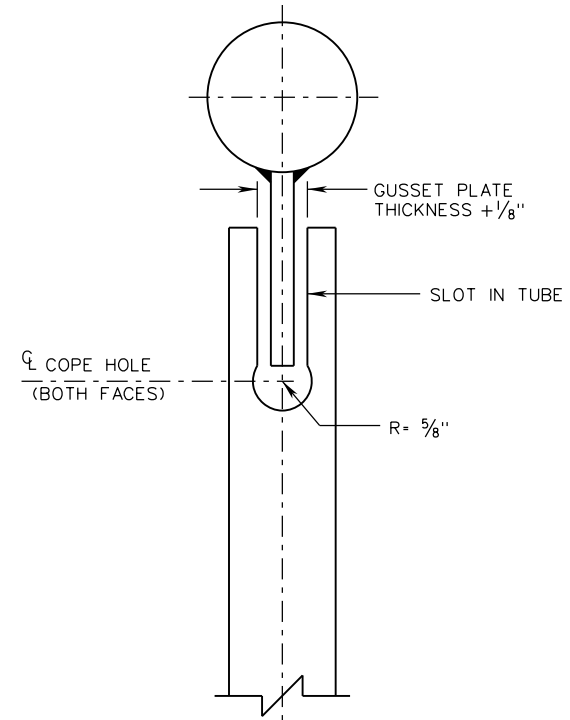


OSS-1



TYPICAL GUSSET PLATE CONNECTION



SECTION VIEW

NOTES:

1. ALL SECONDARY MEMBERS IN BOTH TUBULAR AND NON-TUBULAR STRUCTURES IN THE OVERHEAD TRUSS AND THE END POLE SUPPORTS SHALL BE JOINED TO PRIMARY MEMBERS USING A GUSSET CONNECTION PLATE.
2. CONTRACTOR SHALL SPECIFY THE WIDTH, LENGTH, AND THICKNESS OF GUSSET PLATE.
3. CONTRACTOR SHALL SPECIFY THE MINIMUM WELD SIZE AND LENGTH OF WELD.
4. COPE HOLES TO BE PROVIDED AT BOTH ENDS AND BOTH FACES OF ALL SECONDARY MEMBER CONNECTIONS.

A COPY OF THE ORIGINAL SEALED AND SIGNED DRAWING IS ON FILE IN THE CENTRAL OFFICE.

OVERHEAD SIGN STRUCTURE
GUSSET PLATE CONNECTION

VIRGINIA DEPARTMENT OF TRANSPORTATION

SPECIFICATION REFERENCE

700



ROAD AND BRIDGE STANDARDS

SHEET 3 OF 7

REVISION DATE

1324.12

09/18