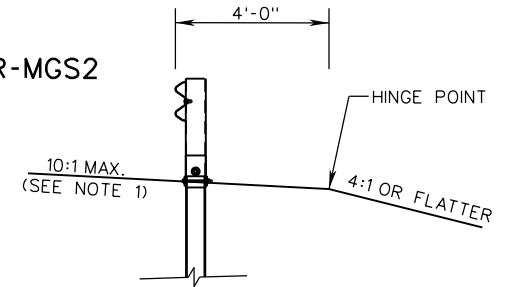


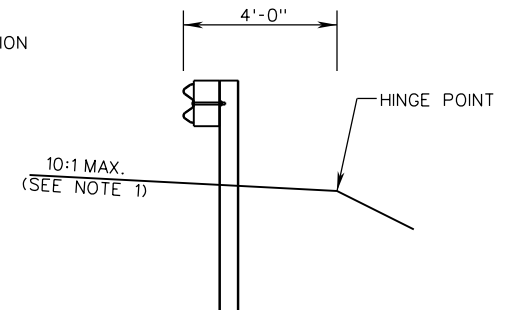
**LIMITED USE SITE PREPARATION REQUIREMENTS FOR GR-MGS2**  
 NOT FOR USE ON INTERSTATES, FREEWAYS, OR NEW CONSTRUCTION, UNLESS APPROVED BY THE ENGINEER.

**NOTES:**

1. THE CROSS SLOPE OF THE GRADE APPROACHING THE GUARDRAIL TERMINAL, AND ADJACENT TO FOR ITS FULL LENGTH, MUST BE A MAXIMUM OF 10:1. IF THE EXISTING GRADE IS FLAT OR IS A POSITIVE SLOPE DUE TO THE SUPERELEVATION OF THE ROADWAY PAVEMENT, THE MINIMUM OFFSET FROM THE FACE OF RAIL TO THE HINGE POINT, AS SHOWN, IS REQUIRED.
2. THE AREA IMMEDIATELY BEHIND AND BEYOND THE TERMINAL SHOULD BE TRAVERSABLE AND FREE FROM FIXED OBJECTS. IF A CLEAR RUN OUT IS NOT ATTAINABLE THIS AREA SHOULD AT LEAST BE SIMILAR IN CHARACTER TO THE UPSTREAM UNSHIELDED ROADSIDE AREAS.
3. NOT FOR USE ON INTERSTATES, FREEWAYS, OR NEW CONSTRUCTION, UNLESS APPROVED BY THE ENGINEER. MAY BE USED WHEN SPECIFIED IN THE PLANS FOR 3R WORK THAT CANNOT CONFORM TO THE SITE PREPARATION REQUIREMENTS ON PAGE 506.07.
4. FOR LIMITED APPLICATIONS AS DESCRIBED IN NOTE 3, THE GRADING SHOULD BE AS CLOSE AS POSSIBLE TO THE SITE PREPARATION REQUIREMENTS ON PAGE 506.07. THE SLOPE SHALL EXTEND A MINIMUM OF 4'-0" FROM THE FACE OF RAIL AND GRADING SHALL CONFORM TO THE DETAILS ABOVE. USE 21B AGGREGATE, OR OTHER SUITABLE MATERIAL AS APPROVED BY THE ENGINEER.



SECTION A-A



SECTION B-B

SPECIFICATION REFERENCE

221  
236  
505

A COPY OF THE ORIGINAL SEALED AND SIGNED DRAWING IS ON FILE IN THE CENTRAL OFFICE.

**MIDWEST GUARDRAIL SYSTEM**  
 (TANGENT END TERMINAL)

VIRGINIA DEPARTMENT OF TRANSPORTATION

**VDOT**

ROAD AND BRIDGE STANDARDS

REVISION DATE

09/17

SHEET 3 OF 3

506.08