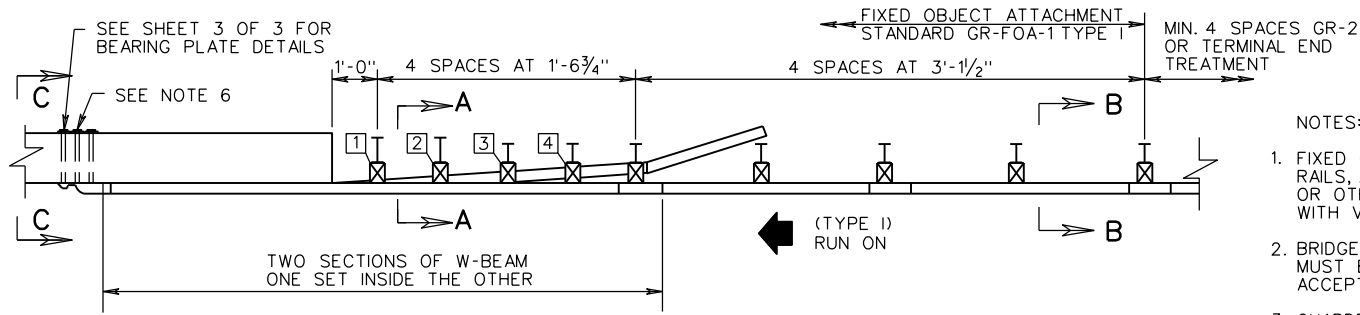


GR-FOA-1



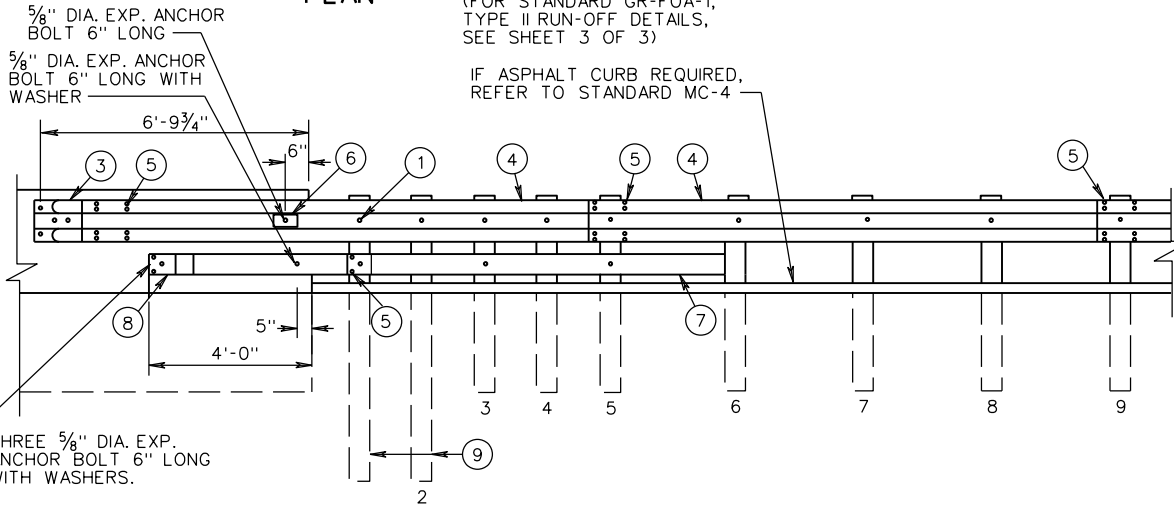
PLAN

(FOR STANDARD GR-FOA-1, TYPE II RUN-OFF DETAILS, SEE SHEET 3 OF 3)

IF ASPHALT CURB REQUIRED, REFER TO STANDARD MC-4

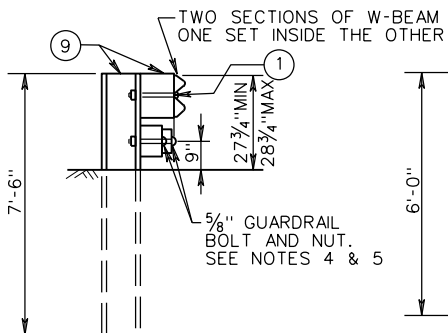
NOTES:

1. FIXED OBJECTS MAY CONSIST OF BRIDGE RAILS, ABUTMENTS, PIERS, RETAINING WALLS, OR OTHER FLAT SURFACED STRUCTURES WITH VERTICAL FACE.
2. BRIDGE RAIL ENDS AND BRIDGE PARAPETS MUST BE OF ADEQUATE STRENGTH TO ACCEPT FULL IMPACT LOADING.
3. GUARDRAIL COMPONENTS SHALL BE IN ACCORDANCE WITH VDOT ROAD AND BRIDGE STANDARDS.
4. POSTS 1, 2, 3, 4, AND 5 REQUIRE AN ADDITIONAL HOLE TO ATTACH BLOCKS AND/OR RUBRAIL. RUBRAIL IS NOT BOLTED TO POSTS 2 AND 4.
5. BOTTOM WOOD BLOCKS LOCATED ON POSTS 1 THROUGH 4 ARE CENTER DRILLED AND SECURED WITH 5/8" GUARDRAIL BOLTS (LENGTH AS REQUIRED).
6. APPROPRIATE LENGTH 7/8" DIAMETER ASTM A449 HEX BOLTS WITH WASHERS MUST BE USED WITH THRU DRILLED HOLES AND A 5/8" BEARING PLATE ON THE BACK SIDE OF THE BRIDGE PARAPET OR TERMINAL WALL.
7. SEE SHEET 3 OF 3 FOR RUBRAIL BLOCKOUT DETAILS.

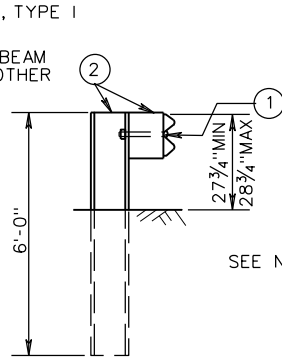


ELEVATION

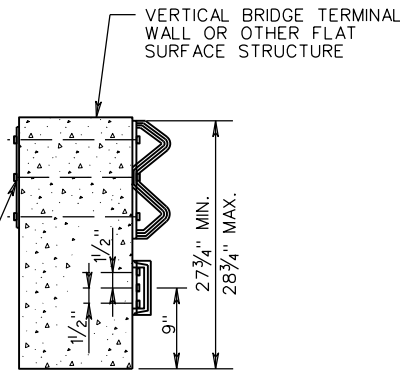
NEW BRIDGES - ATTACHMENTS  
 ONE WAY TRAFFIC - RUN-ON, 2-GR-FOA-1, TYPE I  
 - RUN-OFF, 2-GR-FOA-1, TYPE II  
 TWO WAY TRAFFIC - RUN-ON, 4-GR-FOA-1, TYPE I



SECTION A-A



SECTION B-B



SECTION C-C

ITEM	MATERIAL/SPECIFICATIONS/NOTES
①	5/8" X 10" LONG GUARDRAIL BOLT & RECESSED NUT
②	ST'D. W6X8.5 OR W6X9 STEEL POST ST'D. 6X8X14" LG. TREATED PINE BLOCK OR RECYCLED MATERIAL
③	STANDARD W-BEAM TERMINAL CONNECTOR
④	STANDARD W-BEAM RAIL
⑤	5/8" X 2" LONG GUARDRAIL BOLT & RECESSED NUT (SEE STANDARD GR-HDW)
⑥	RECTANGULAR PLATE WASHER (SEE ST'D. GR-HDW)
⑦	BENT PLATE RUBRAIL (SEE SHEET 3 OF 3)
⑧	C6 X 8.2 RUBRAIL (SEE SHEET 3 OF 3)
⑨	W8 X 13 X 7'-6" LONG STEEL POST WITH STANDARD 6" X 8" X 14" LONG TREATED PINE BLOCK OR RECYCLED MATERIAL



ROAD AND BRIDGE STANDARDS

A COPY OF THE ORIGINAL SEALED AND SIGNED DRAWING IS ON FILE IN THE CENTRAL OFFICE.

**W-BEAM GUARDRAIL-FIXED OBJECT ATTACHMENT**  
 FOR USE BETWEEN VERTICAL FIXED OBJECTS AND GUARDRAIL (STEEL POSTS)

SPECIFICATION REFERENCE

SHEET 2 OF 3

REVISION DATE

VIRGINIA DEPARTMENT OF TRANSPORTATION

505

501.26

01/14