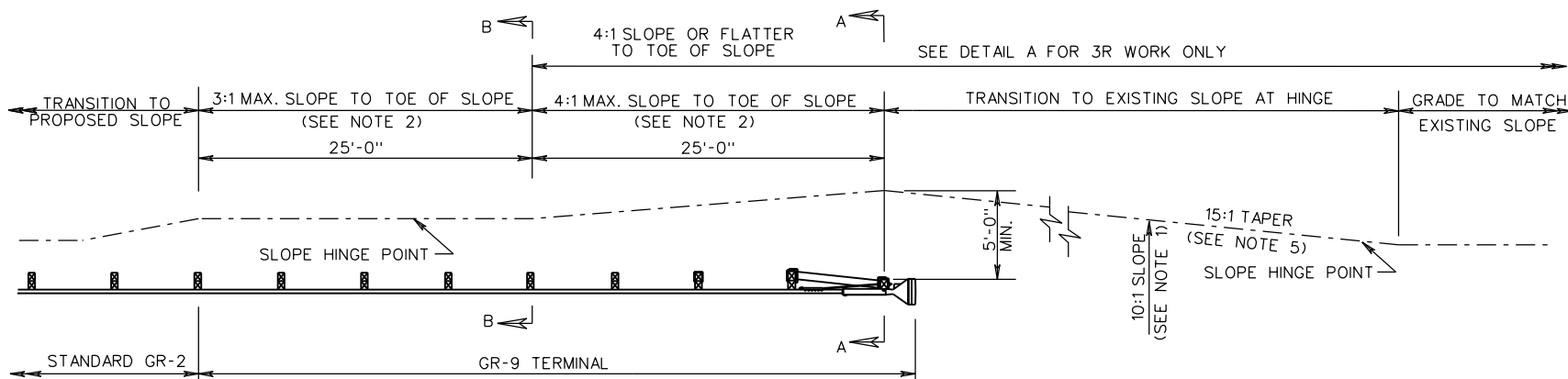
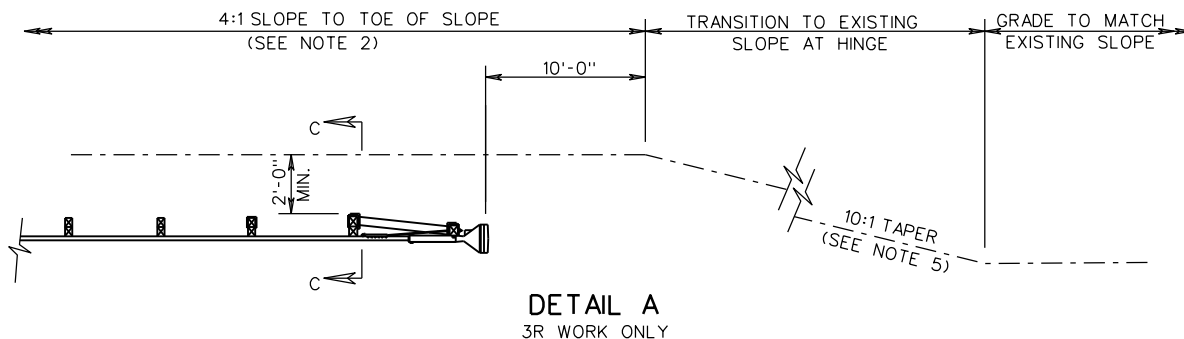


NOTES:

1. THE CROSS SLOPE OF THE GRADE APPROACHING THE GUARDRAIL TERMINAL, AND ADJACENT TO FOR ITS FULL LENGTH, MUST BE 10:1. IF THE EXISTING GRADE IS FLAT OR IS A POSITIVE SLOPE DUE TO THE SUPERELEVATION OF THE ROADWAY PAVEMENT, THE MINIMUM OFFSET FROM BEHIND THE POST TO THE HINGE POINT, AS SHOWN, IS REQUIRED.
2. THE AREA IMMEDIATELY BEHIND AND BEYOND THE TERMINAL SHOULD BE TRAVERSABLE AND FREE FROM FIXED OBJECTS. IF A CLEAR RUN OUT IS NOT ATTAINABLE THIS AREA SHOULD AT LEAST BE SIMILAR IN CHARACTER TO THE UPSTREAM UNSHIELDED ROADSIDE AREAS.
3. FOR NEW CONSTRUCTION AND RECONSTRUCTION THE 10:1 SLOPE GRADING MUST EXTEND A MINIMUM OF 5'-0" BEHIND THE END POST.
4. FOR 3R WORK, THE GRADING SHOULD BE AS CLOSE AS POSSIBLE TO THE NEW CONSTRUCTION WITH SLOPE EXTENDING A MINIMUM OF 2'-0" BEHIND THE BLOCKED OUT POST. FROM THE HINGE POINT, TIE THE GRADED SLOPE INTO THE EXISTING DITCH SLOPE TO COVER THE FOUNDATION TUBES AND SOIL PLATES WITHOUT EXTENDING THIS SLOPE BEYOND THE DITCH BOTTOM. USE #21B AGGREGATE, OR OTHER SUITABLE MATERIAL AS APPROVED BY THE ENGINEER, AT ROADWAY SHOULDERS.
5. THE TAPER FOR NEW CONSTRUCTION WILL BE 15:1. FOR 3R WORK THE MINIMUM ALLOWABLE TAPER IS 10:1.
6. FOR PROPRIETARY GUARDRAIL TERMINALS THE MANUFACTURER'S SITE PREPARATION REQUIREMENTS TAKE PRECEDENCE OVER THIS STANDARD.



SPECIFICATION REFERENCE

A COPY OF THE ORIGINAL SEALED AND SIGNED DRAWING IS ON FILE IN THE CENTRAL OFFICE.
GUARDRAIL TERMINAL INSTALLATION SITE PREPARATION REQUIREMENTS FOR GR-9

VIRGINIA DEPARTMENT OF TRANSPORTATION

VDOT

ROAD AND BRIDGE STANDARDS

REVISION DATE

SHEET 2 OF 2

01/14

501.17