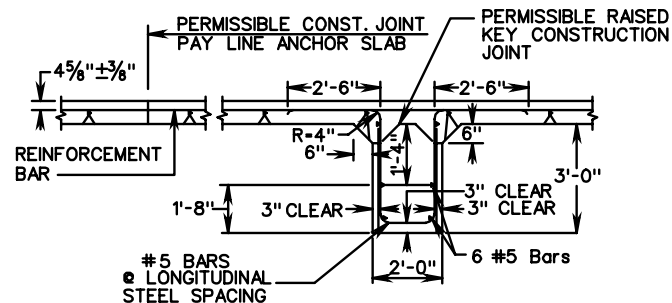
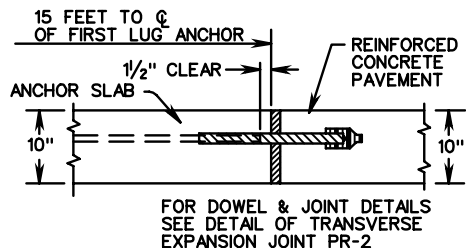


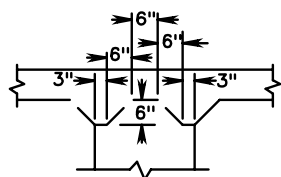
PLAN VIEW  
ANCHOR SLAB TYPE I



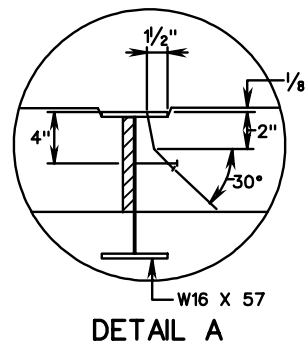
SECTION D-D



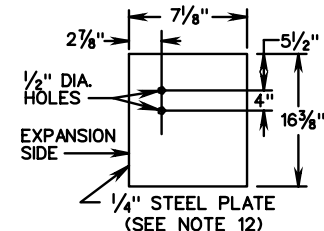
SECTION E-E  
ANCHOR SLAB TYPE I



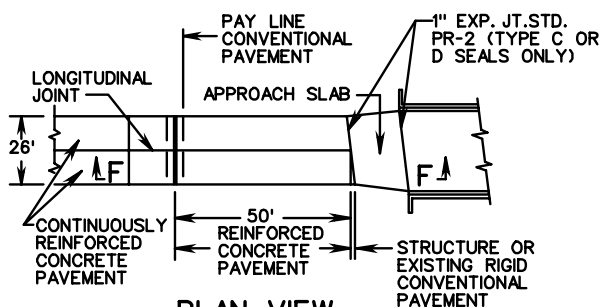
DETAIL-RAISED KEY  
CONSTRUCTION JOINT



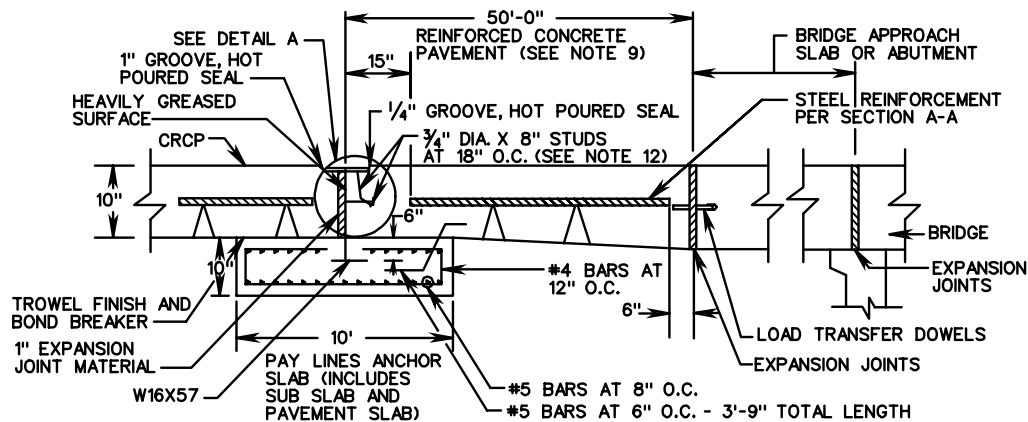
DETAIL A



ANCHOR SLAB TYPE II  
END PLATE DETAIL



PLAN VIEW  
ANCHOR SLAB TYPE II  
(SEE NOTE 11)



SECTION F-F  
ANCHOR SLAB TYPE II

SEE SHEET 3 OF 3 FOR NOTES

SPECIFICATION REFERENCE	316

10" THICK COUNTINUOUSLY REINFORCED CONC. PAVE.  
(14 FOOT TRAVEL LANE)

VIRGINIA DEPARTMENT OF TRANSPORTATION

<b>VDOT</b>	
ROAD AND BRIDGE STANDARDS	
REVISION DATE	SHEET 2 OF 3
301.17	