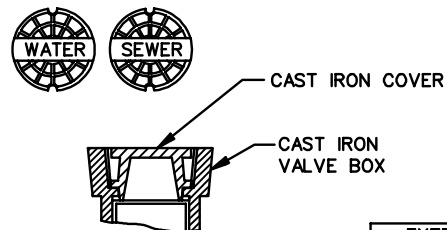


TYPE "A"  
(SCREW TYPE)

**TYPE "A"**

EXTENSION RANGE - C	DIM. A	DIM. B	DIM. D
18"-24"	10.5"	14.5"	6.5"
24"-29"	15"	24"	6.5"
36"-48"	15"	36"	8.5"
36"-60"	26"	36"	8.5"

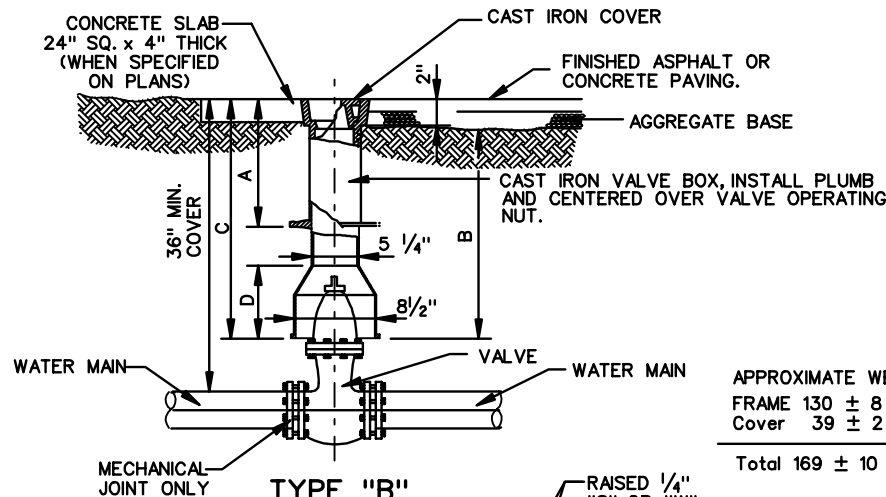
LONGER BOXES ARE MADE BY ADDING EXTENSIONS.



TYPE "B"

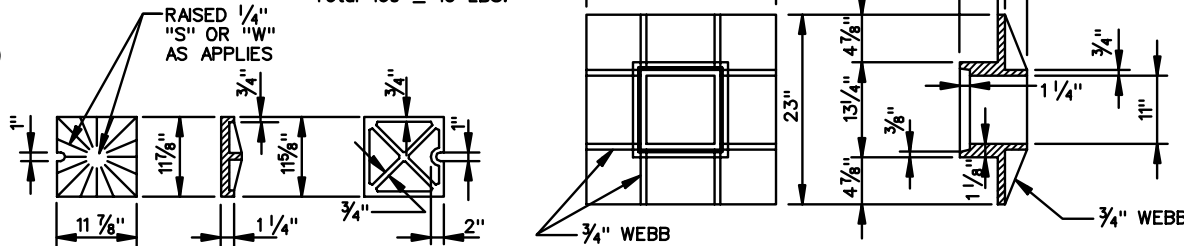
EXTENSION RANGE - C	DIM. A	DIM. B	DIM. D
18"-24"	10.5"	15"	6.5"
23"-29"	15.5"	15"	6.5"
24"-36"	15.5"	24.5"	6.5"
36"-48"	15.5"	26"	8.5"
38"-48"	26.5"	24.5"	6.5"
36"-60"	26.5"	36"	8.5"

LONGER BOXES ARE MADE BY ADDING EXTENSIONS.



TYPE "B"  
(SLIP TYPE)

APPROXIMATE WEIGHTS  
 FRAME 130 ± 8 LBS.  
 Cover 39 ± 2 LBS.  
 Total 169 ± 10 LBS.



TYPE "C"

**NOTE:**

1. CAST IRON SHALL CONFORM TO ASTM A-48M CLASS 30S.

SPECIFICATION REFERENCE	<p><b>VALVE BOX AND VALVE MANHOLE</b>                  (WATER AND SANITARY SEWER FACILITY)</p> <p>VIRGINIA DEPARTMENT OF TRANSPORTATION</p>	<p><b>VDOT</b>                  ROAD AND BRIDGE STANDARDS</p>				
		<table border="1" style="width: 100%;"> <tr> <td style="width: 50%;">REVISION DATE</td> <td style="width: 50%;">SHEET 1 OF 2</td> </tr> <tr> <td colspan="2" style="text-align: right;">1406.01</td> </tr> </table>	REVISION DATE	SHEET 1 OF 2	1406.01	
REVISION DATE	SHEET 1 OF 2					
1406.01						