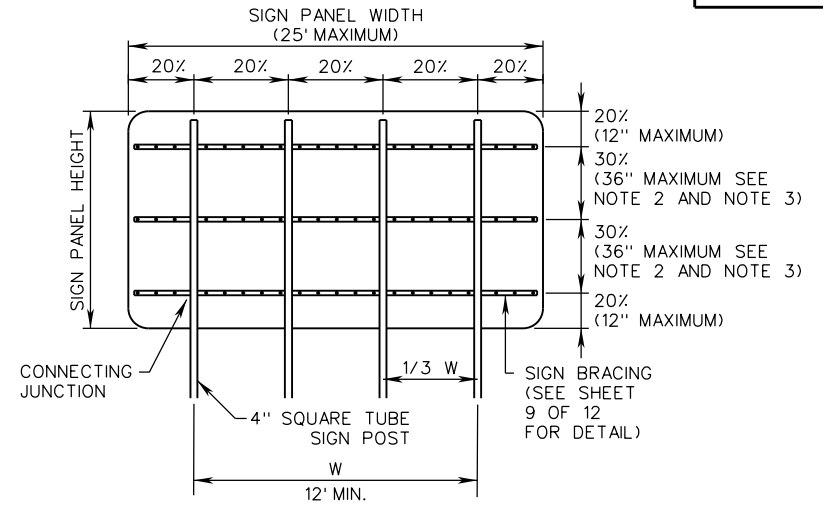
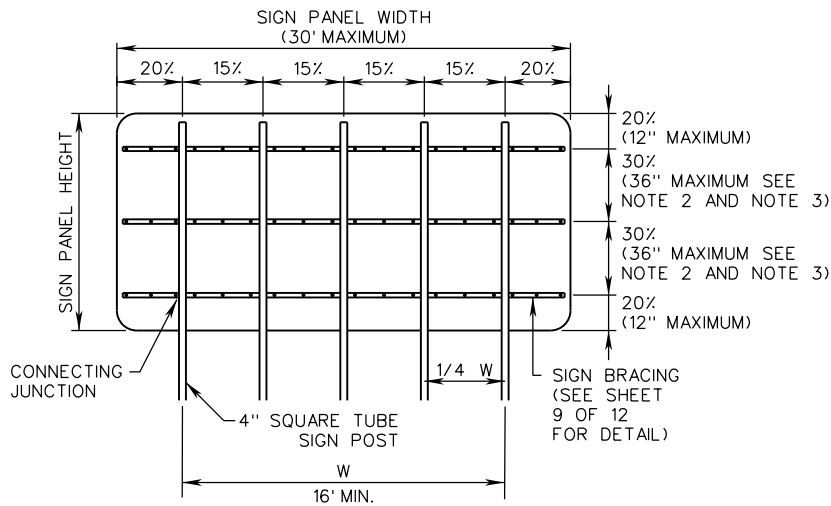


THREE POST - BRACING DIAGRAM  
TYPICAL - THREE BRACE



FOUR POST - BRACING DIAGRAM  
TYPICAL - THREE BRACE



FOUR POST - BRACING DIAGRAM  
TYPICAL - THREE BRACE

**NOTES:**

SEE SHEET 1321.49 FOR ALL NOTES  
AND DETAILS NOT SHOWN.

SPECIFICATION REFERENCE
700

A COPY OF THE ORIGINAL SEALED AND SIGNED DRAWING IS ON FILE IN THE CENTRAL OFFICE.

**FOUR INCH SQUARE TUBE SIGN POST  
SIGN BRACING AND SIGN PANEL ATTACHMENT DETAILS**

VIRGINIA DEPARTMENT OF TRANSPORTATION

<b>VDOT</b> ROAD AND BRIDGE STANDARDS	
REVISION DATE NEW 08/19	SHEET 11 OF 12 1321.50