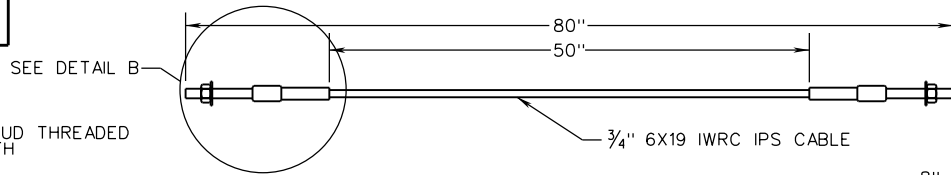


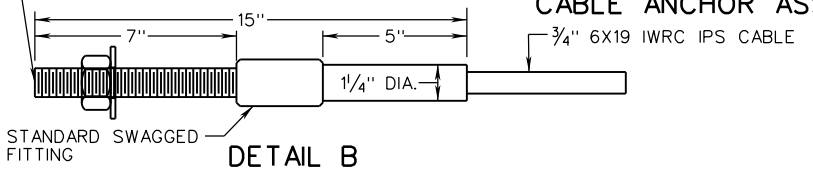
GR-MGS3



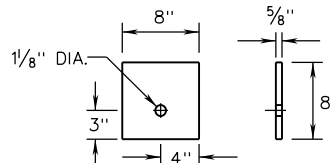
1" - 8UNC STUD THREADED ENTIRE LENGTH

3/4" 6X19 IWRC IPS CABLE

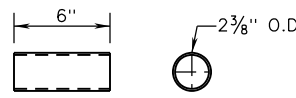
CABLE ANCHOR ASSEMBLY



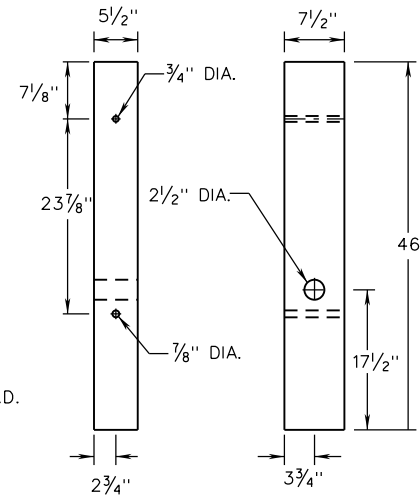
DETAIL B



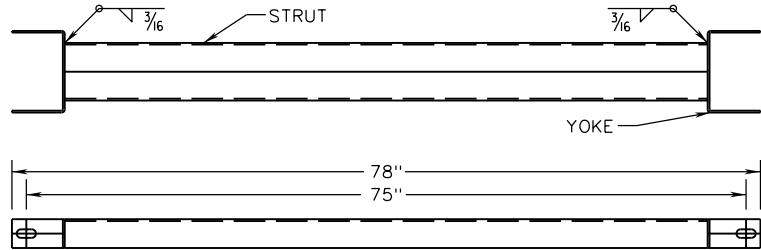
BEARING PLATE



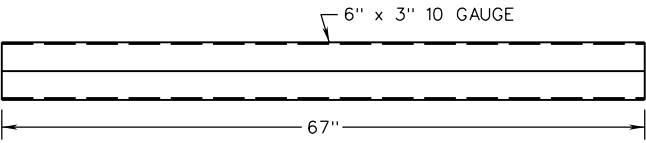
ASTM A53 GRADE B SCHEDULE 40
POST SLEEVE



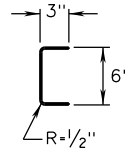
MGS TIMBER POST



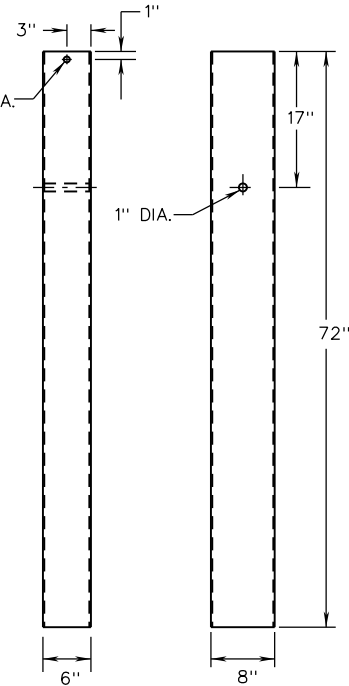
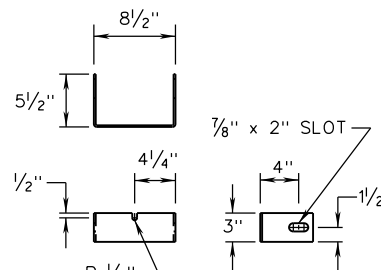
STRUT AND YOKE ASSEMBLY



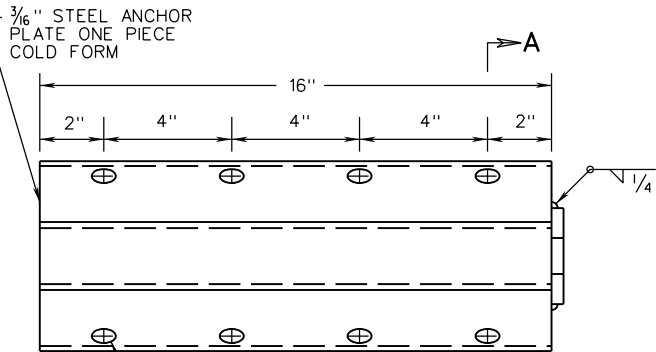
STRUT



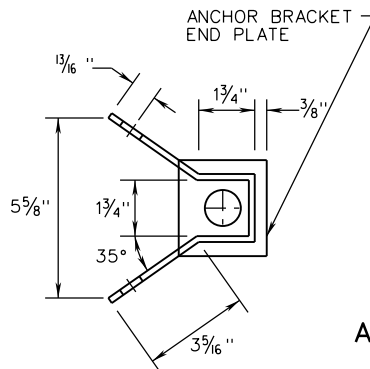
YOKE



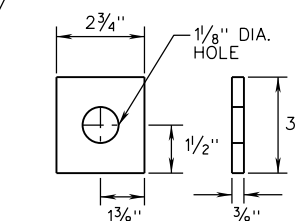
STEEL FOUNDATION TUBE
3/16" WALL THICKNESS



ANCHOR BRACKET DETAILS



SECTION A-A



ANCHOR BRACKET END PLATE

A COPY OF THE ORIGINAL SEALED AND SIGNED DRAWING IS ON FILE IN THE CENTRAL OFFICE.

MIDWEST GUARDRAIL SYSTEM
(TRAILING END ANCHORAGE)

VIRGINIA DEPARTMENT OF TRANSPORTATION

SPECIFICATION REFERENCE

505
221



ROAD AND BRIDGE STANDARDS

SHEET 2 OF 2

REVISION DATE

506.10

NEW 02/17