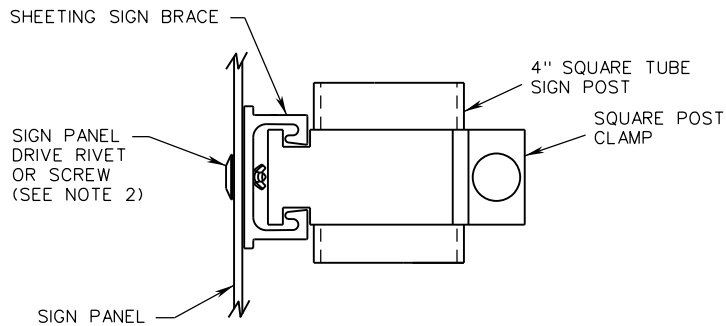
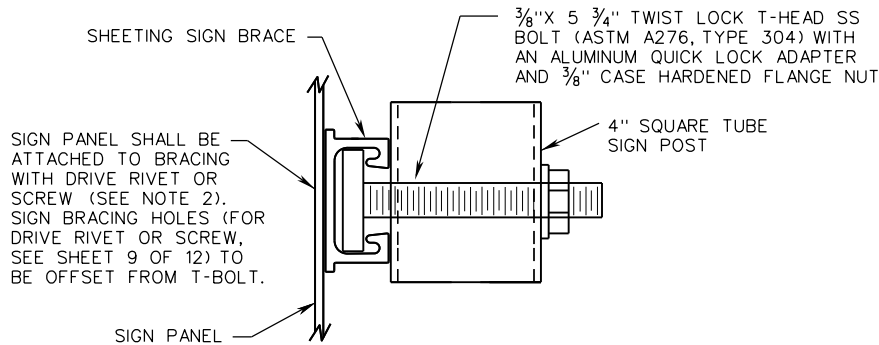


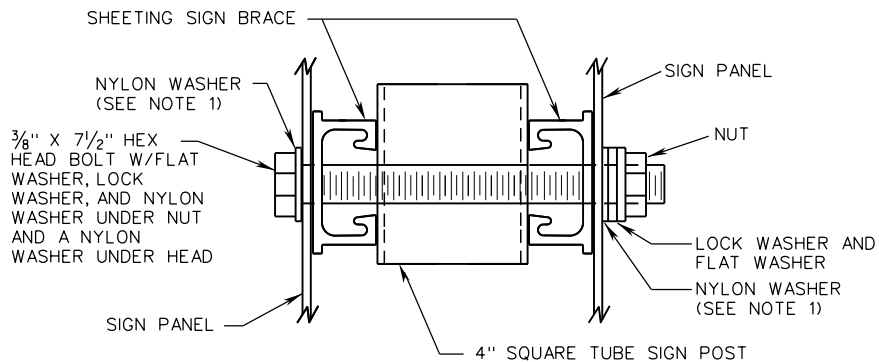
SIGN POSTS REQUIRING BRACING



SINGLE SIGN PANEL DETAIL



SINGLE SIGN PANEL ALTERNATE METHOD DETAIL



BACK-TO-BACK SIGN PANEL DETAIL

NOTES:

1. NYLON WASHER SHALL BE 1/16" THICK MINIMUM WITH AN OUTSIDE DIAMETER OF 1" AND AN INSIDE DIAMETER OF 7/16".
2. DRIVE RIVET SHALL BE 3/16" OR 3/8" ALUMINUM FLAT HEAD RIVET WITH STEEL PINS AND NYLON OR RUBBER WASHER.
3. DRIVE RIVET SHALL NOT BE USED FOR SIGNS WITHOUT BRACING.



ROAD AND BRIDGE STANDARDS

A COPY OF THE ORIGINAL SEALED AND SIGNED DRAWING IS ON FILE IN THE CENTRAL OFFICE.

**FOUR INCH SQUARE TUBE SIGN POST
SIGN BRACING AND SIGN PANEL ATTACHMENT DETAILS**

SPECIFICATION
REFERENCE

SHEET 12 OF 12

REVISION DATE

1321.51

NEW 08/19

VIRGINIA DEPARTMENT OF TRANSPORTATION

700