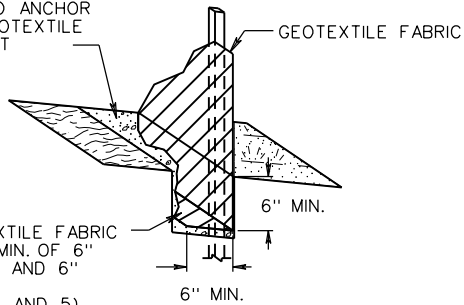


TYPICAL DETAIL FOR TEMPORARY SILT FENCE AT TOE OF FILL

NOTES

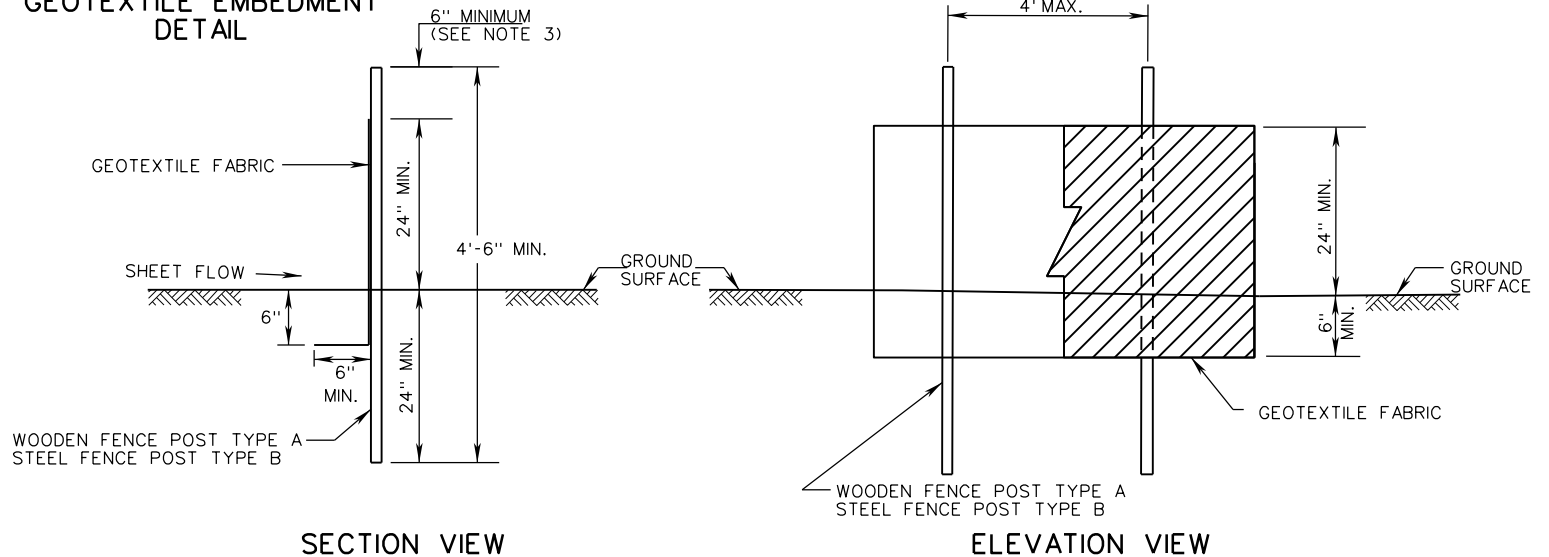
1. TYPE A SILT FENCE WILL HAVE WOODEN POSTS AND IS LIMITED TO FILL HEIGHTS OF 20 FEET OR LESS. TYPE B SILT FENCE WILL HAVE STEEL POSTS AND MUST BE USED WHERE THE FILL HEIGHT EXCEEDS 20 FEET.
2. WOODEN POSTS SHALL BE OAK AND HAVE NOMINAL DIMENSIONS OF 2" BY 2". STEEL POSTS SHALL HAVE A MINIMUM WEIGHT OF 1.25 POUNDS PER LINEAR FOOT.
3. ALL POSTS SHALL BE DRIVEN 24" MIN. INTO THE GROUND AND SHALL EXTEND 6" ABOVE THE FILTER FABRIC.
4. GEOTEXTILE FABRIC SHALL BE EMBEDDED 12" INTO THE GROUND (6" VERTICALLY AND 6" HORIZONTALLY ALONG THE BOTTOM OF TRENCH) AS SHOWN IN DETAILS.
5. SLICING IS AN APPROVED ALTERNATIVE TO TRENCHING FOR ANCHORING THE GEOTEXTILE FABRIC INTO THE GROUND. SLICING SHALL BE ACCOMPLISHED IN ACCORDANCE WITH SECTION 303 OF THE ROAD AND BRIDGE SPECIFICATIONS.
6. WHEN TWO SEPARATE SECTIONS OF GEOTEXTILE FABRIC ADJOIN EACH OTHER, THEY SHALL OVERLAP BY 6" AND BE DOUBLE FOLDED.
7. GEOTEXTILE FABRIC SHALL BE FASTENED SECURELY TO THE POSTS AT BOTH THE TOP AND VERTICAL MIDPOINT OF THE GEOTEXTILE FABRIC.
8. WHEN THE DISTANCE FROM THE TOE OF THE FILL TO THE SILT FENCE IS NOT PROVIDED IN THE PLANS A MINIMUM OF 5 FEET WILL BE USED.
9. MATERIALS FOR ALL SILT FENCE SHALL CONFORM TO THE REQUIREMENTS OF SECTION 242 OF THE VDOT ROAD & BRIDGE SPECIFICATIONS.
10. THE GEOTEXTILE FABRIC FOR SILT FENCE SHALL BE FROM THE VDOT MATERIALS APPROVED LIST 63.

FILL TRENCH TO ANCHOR BOTTOM OF GEOTEXTILE FABRIC, COMPACT THOROUGHLY



EMBED GEOTEXTILE FABRIC IN TRENCH A MIN. OF 6" HORIZONTALLY AND 6" VERTICALLY. (SEE NOTES 4 AND 5)

GEOTEXTILE EMBEDMENT DETAIL



SPECIFICATION REFERENCE

- 107
- 242
- 245
- 303

TEMPORARY SILT BARRIERS
SILT FENCE (TYPE A & B)

VIRGINIA DEPARTMENT OF TRANSPORTATION



ROAD AND BRIDGE STANDARDS

REVISION DATE

04/20

SHEET 1 OF 2

113.07