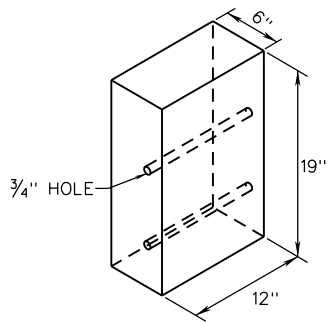
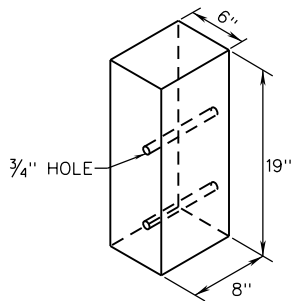


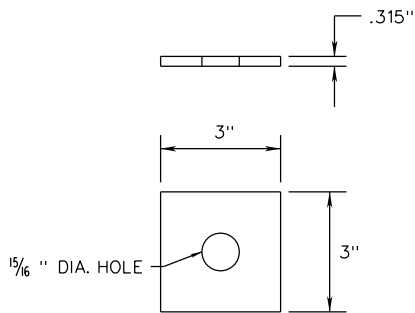
GR-FOA-5



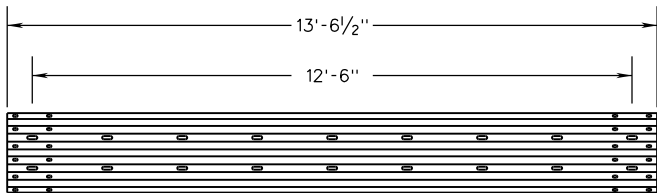
6"x12"x19" TREATED WOOD BLOCKOUT



6"x8"x19" TREATED WOOD BLOCKOUT

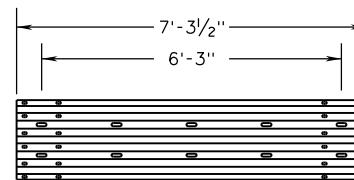


A36 SQUARE PLATE WASHER



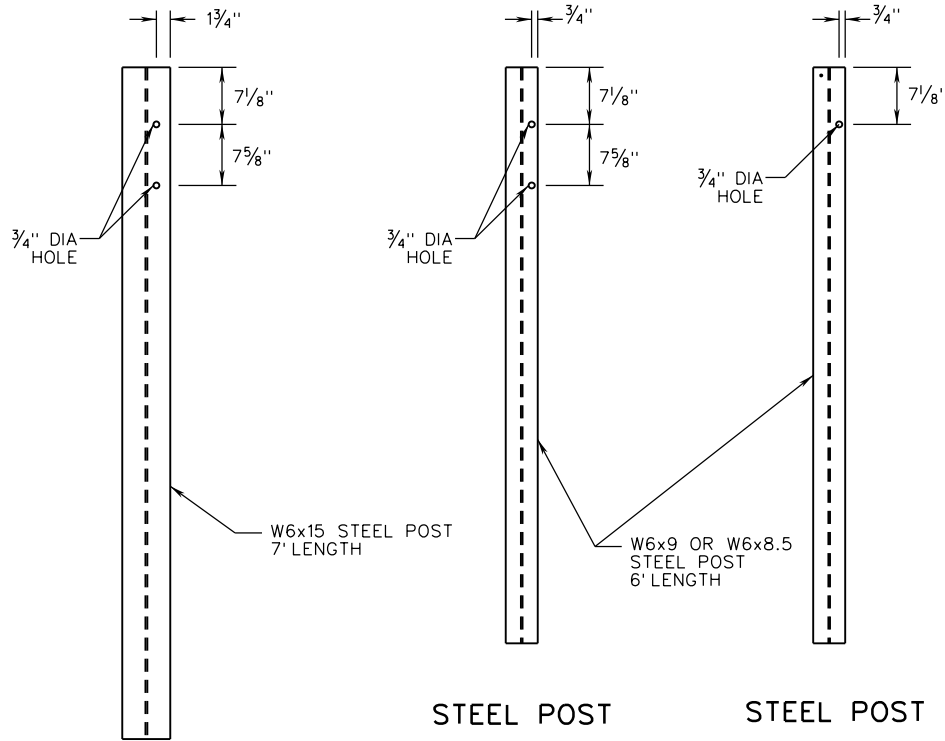
3/4" x 2 1/2" SLOTTED HOLES AT 1'-6 3/4" SPACING

STANDARD 12'-6" THRIE-BEAM SECTION



3/4" x 2 1/2" SLOTTED HOLES AT 1'-6 3/4" SPACING

STANDARD 6'-3" THRIE-BEAM SECTION



STEEL POST

STEEL POST

STEEL POST

VDOT
ROAD AND BRIDGE STANDARDS

A COPY OF THE ORIGINAL SEALED AND SIGNED DRAWING IS ON FILE IN THE CENTRAL OFFICE.
THRIE-BEAM - FIXED OBJECT ATTACHMENT
FOR USE WITH VERTICAL FACE TERMINAL WALLS AND MGS GUARDRAIL

SPECIFICATION REFERENCE

SHEET 2 OF 2

REVISION DATE

VIRGINIA DEPARTMENT OF TRANSPORTATION

508.02

NEW 04/19