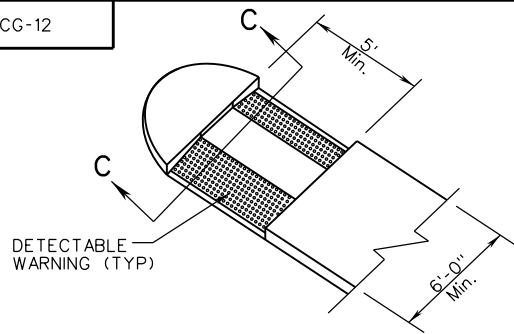
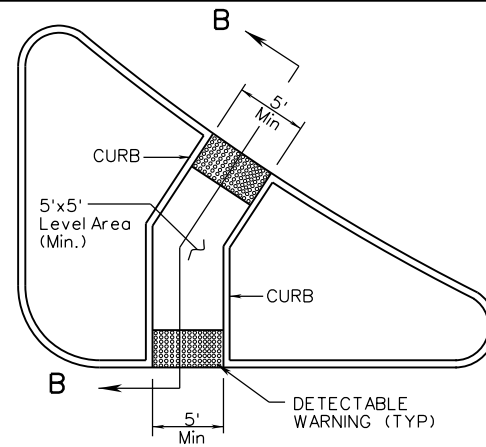
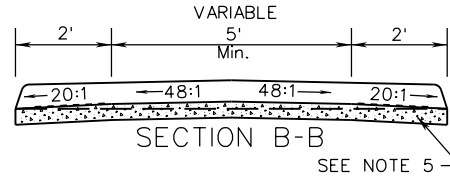
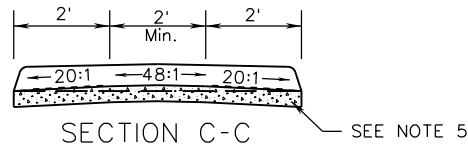


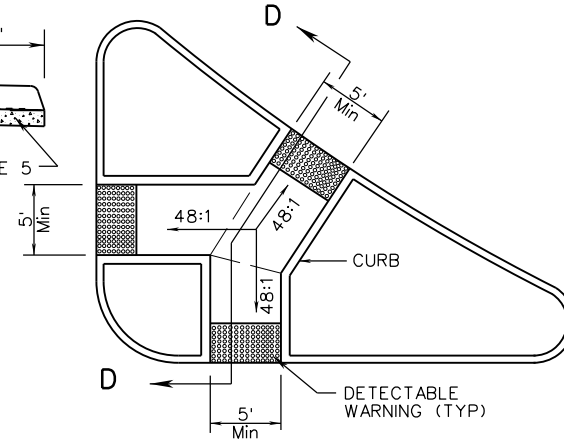
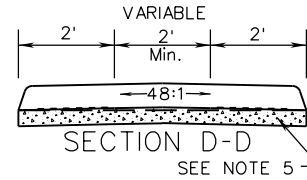
CG-12



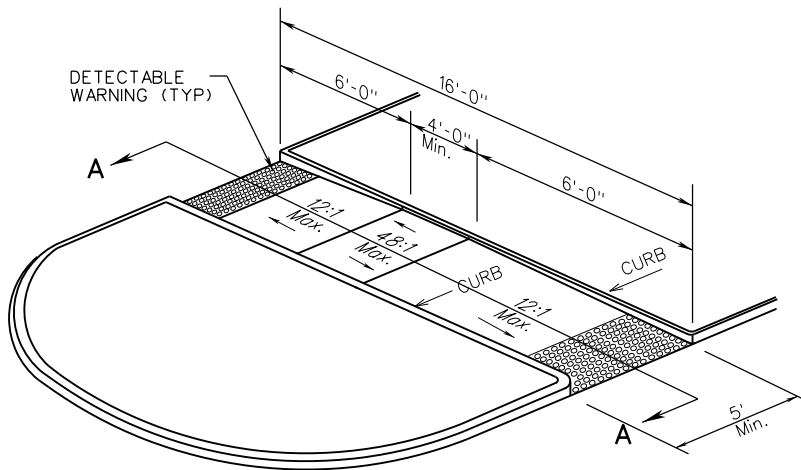
MEDIAN WITH CUT-THROUGH
TYPE M2



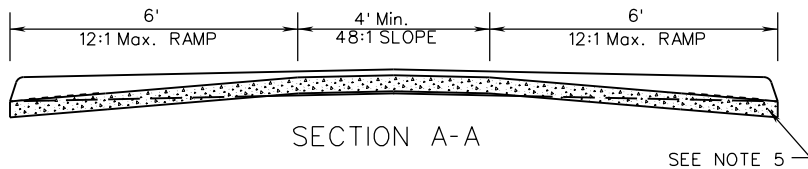
REFUGE ISLAND WITH RAMPS
TYPE RI1



REFUGE ISLAND CUT - THROUGH
TYPE RI2



MEDIAN WITH RAMP
TYPE M1



NOTES:

- FOR GENERAL NOTES ON THE DETECTABLE WARNING SURFACE, SEE SHEET 1 OF 5.
- CURB SHALL BE SHAPED TO MATCH THE FACE OF ROADWAY CURB.
- SEE ROADWAY PLANS FOR MEDIAN AND REFUGE ISLAND DIMENSIONS
- RAMPS AND CUT THROUGH'S SHALL BE ALIGNED WITH CROSSWALKS.
- THE RAMPS AND CUT THROUGH'S SHALL BE INSTALLED AND PAID FOR AS 4" HYDRAULIC CEMENT CONCRETE SIDEWALK IN ACCORDANCE WITH SECTION 504 OF THE ROAD & BRIDGE SPECIFICATIONS. EXCAVATION OF MATERIAL FOR THE INSTALLATION OF THE SIDEWALK SHALL BE INCLUDED IN THE PRICE BID FOR 4" HYDRAULIC CEMENT CONCRETE SIDEWALK.
- CUT THROUGH'S LESS THAN 6' IN WIDTH SHALL NOT HAVE DETECTABLE WARNINGS INSTALLED.



ROAD AND BRIDGE STANDARDS

SHEET 5 OF 5

REVISION DATE

204.05

04/19

A COPY OF THE ORIGINAL SEALED AND SIGNED DRAWING IS ON FILE IN THE CENTRAL OFFICE.

CG-12 DETECTABLE WARNING SURFACE
MEDIAN AND REFUGE ISLAND APPLICATIONS

VIRGINIA DEPARTMENT OF TRANSPORTATION

SPECIFICATION
REFERENCE

105
502