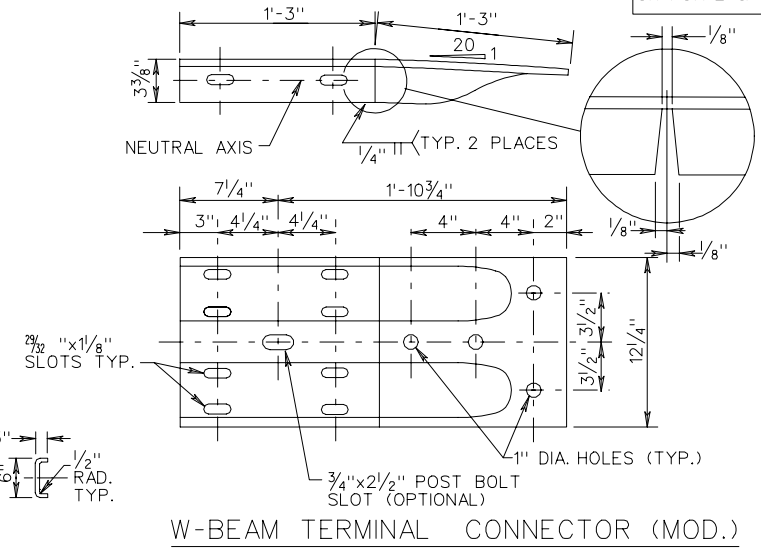
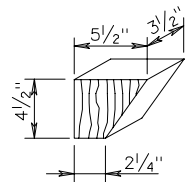


ITEM 7 DETAIL

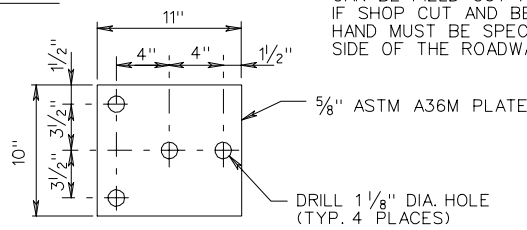
NOTES:
 CAN BE FIELD CUT AND BENT USING HEAT.
 IF SHOP CUT AND BENT, RIGHT HAND OR LEFT
 HAND MUST BE SPECIFIED DEPENDING ON WHICH
 SIDE OF THE ROADWAY THE TRANSITION IS USED.



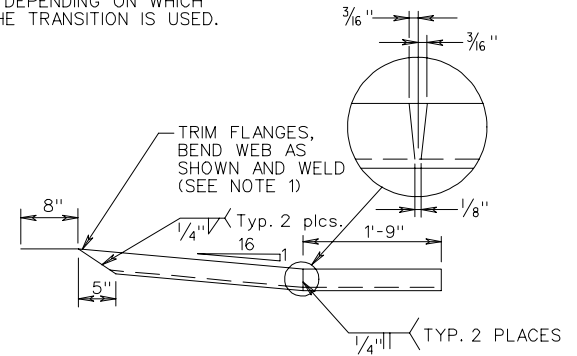
W-BEAM TERMINAL CONNECTOR (MOD.)



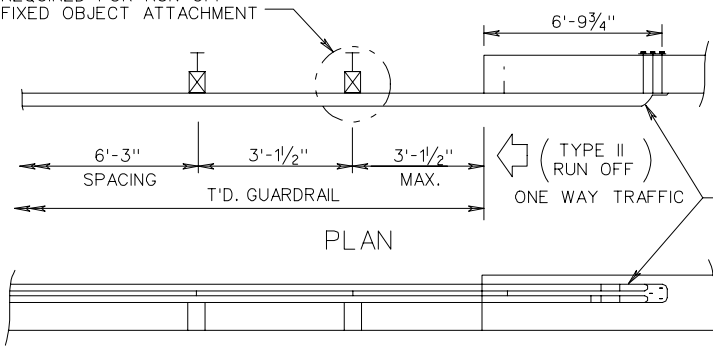
ITEM 10 DETAIL



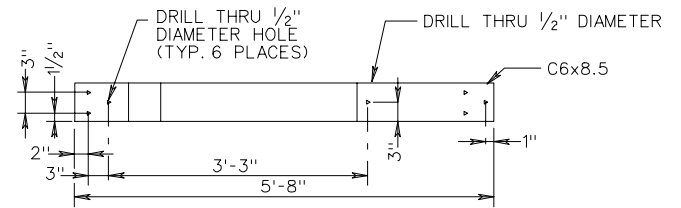
BEARING PLATE



INDICATES EXTRA POST
 REQUIRED FOR RUN OFF
 FIXED OBJECT ATTACHMENT



ELEVATION



ITEM 8 DETAIL

SPECIFICATION REFERENCE
506

W BEAM GUARDRAIL - FIXED OBJECT ATTACHMENT RUBRAIL AND HARDWARE DETAILS