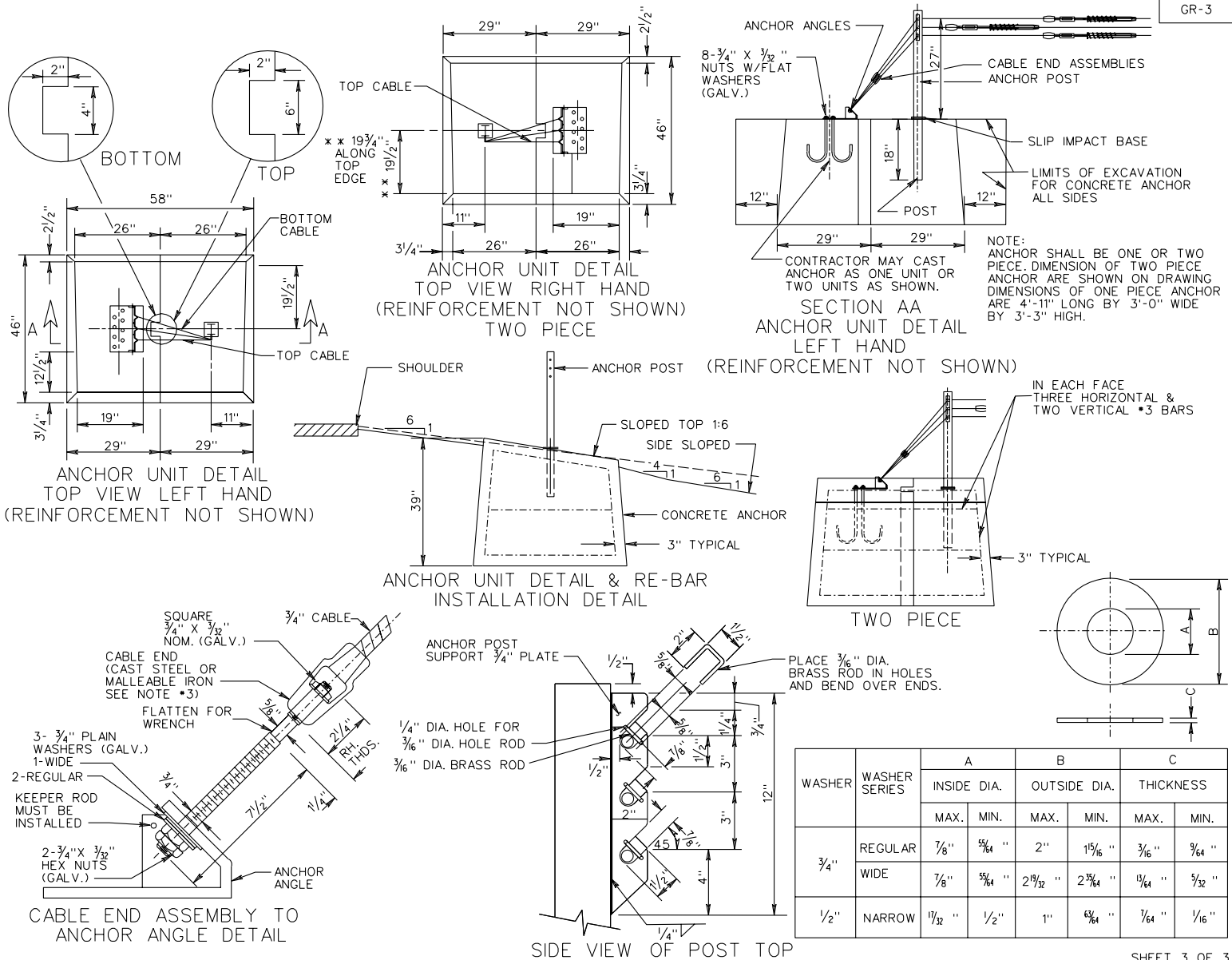


REVISED ON 7/04

GR-3



SPECIFICATION REFERENCE
221 505

CABLE GUARDRAIL

VIRGINIA DEPARTMENT OF TRANSPORTATION

SHEET 3 OF 3  
501.08