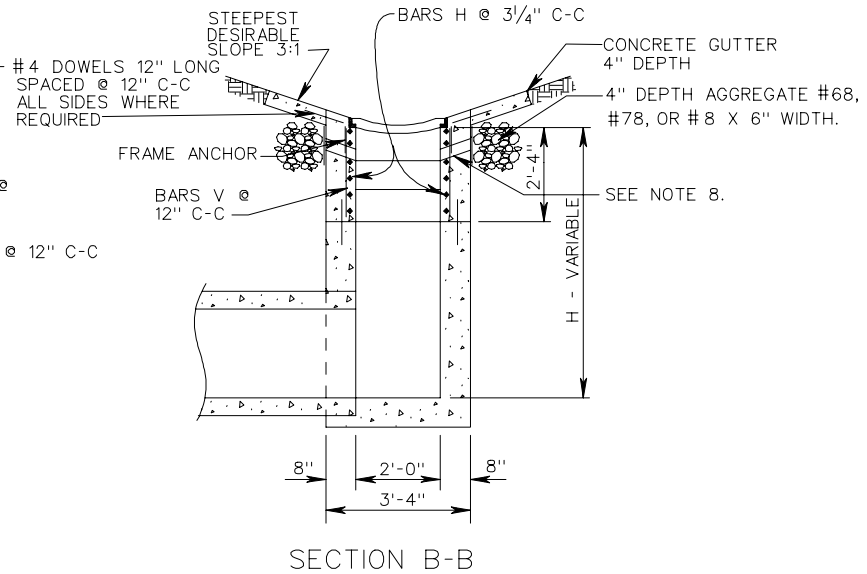
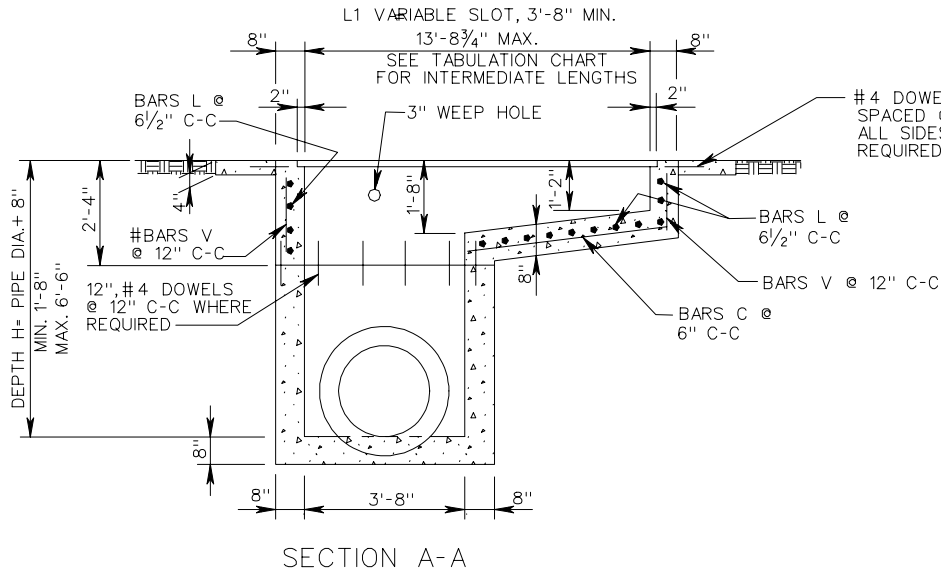
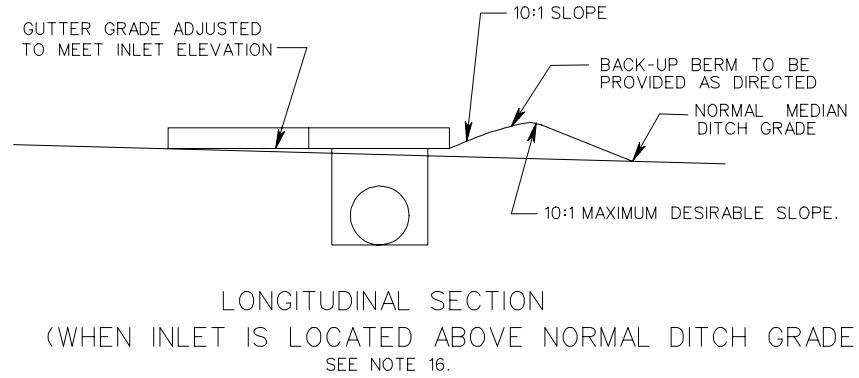
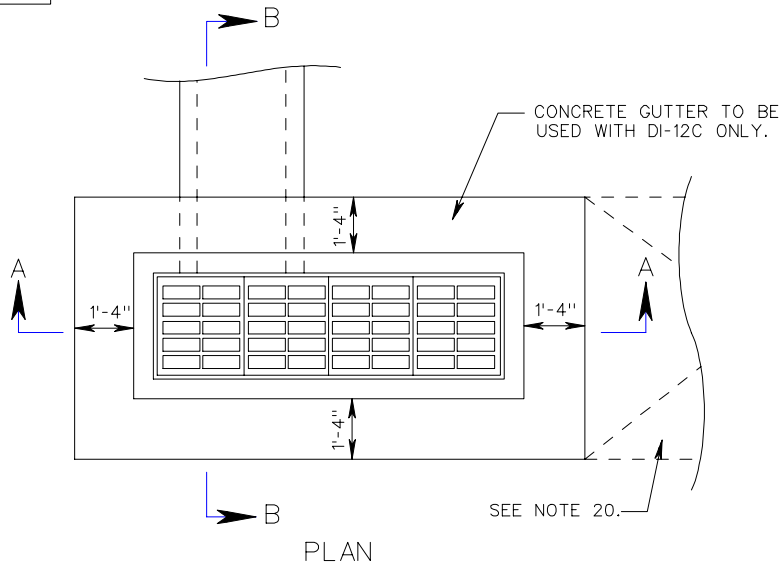


DI-12B,12C



SHEET 1 OF 2

MULTIGRATE DROP INLET
FOR PIPE SIZES 12" TO 36"
VIRGINIA DEPARTMENT OF TRANSPORTATION

SPECIFICATION
REFERENCE

241
503

104.33