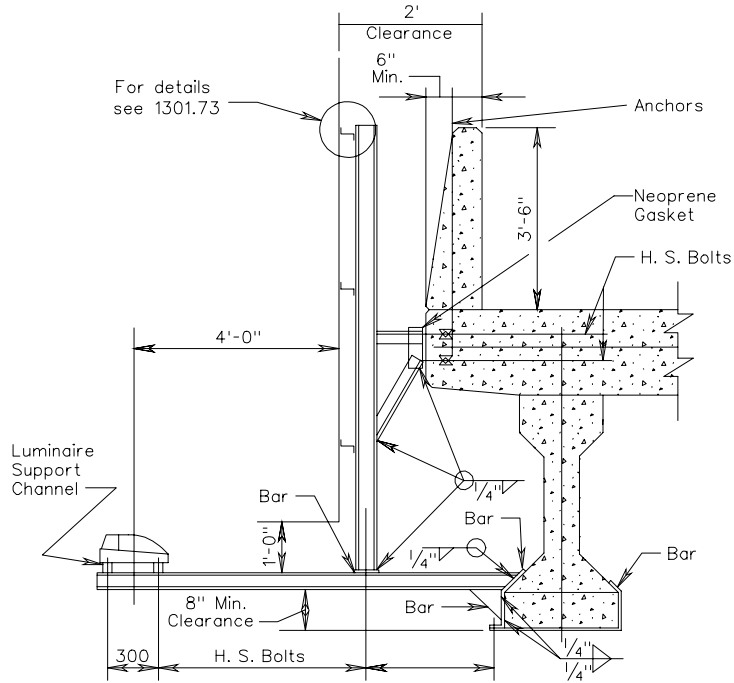


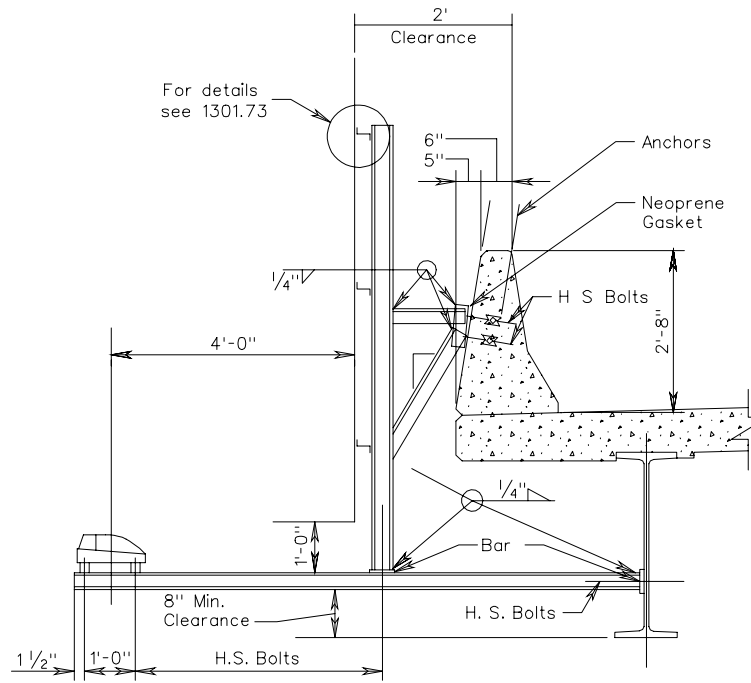
BSS-1

TYPICAL FOR PRESTRESSED CONCRETE



This parapet is typical for bridges with a sidewalk.

TYPICAL FOR STEEL BEAM



NOTES:

The size of members shall be designed by the contractor for the sign to be supported.

Minimum clearances are as specified by AASHTO or approved by the Virginia Department of Transportation.

The supporting frames may be either aluminum or galvanized steel.

The spacing of zeos and supports shall be as shown on the plans.

Sign supports shall be braced for lateral forces.

Bolts shall be High-Strength ASTM A325, galvanized.

Anchors shall be cast-in-place. Thru-bolting may also be used for attachments to parapets. When cast-in-place anchors are used, they shall develop the strength of the bolts. When thru-bolting is used, anchorage on the traffic side of the parapet shall be flush with the parapet face.

When required by the plans bridge mounted sign structure luminaires shall be installed on a luminaire retrieval system with supports and electrical system designed for track mounted luminaires. Retrieval system including the electrical system shall be equal to "LUMI-TRAK" and designed for the number of luminaires as indicated on the plans. Spacing of hangers used to support the retrieval system shall be increased to a maximum 7-foot distance only where hangers do not support sign panels. Turntable end of retrieval system shall be of sufficient length to align with the vertical edge of the outside paved shoulder ($\pm 6''$) or shall extend five feet beyond the vertical edge ($\pm 6''$) of outermost sign luminaire whichever is greater. The opposite end of retrieval system shall extend a minimum of 6 inches past the outermost vertical edge of the sign hanger arm. Luminaire support channels and associated equipment will not be required with the luminaire retrieval system.

TYPICAL BRIDGE PARAPET SIGN MOUNTING DETAILS

VIRGINIA DEPARTMENT OF TRANSPORTATION

REV 7/05

1301.78