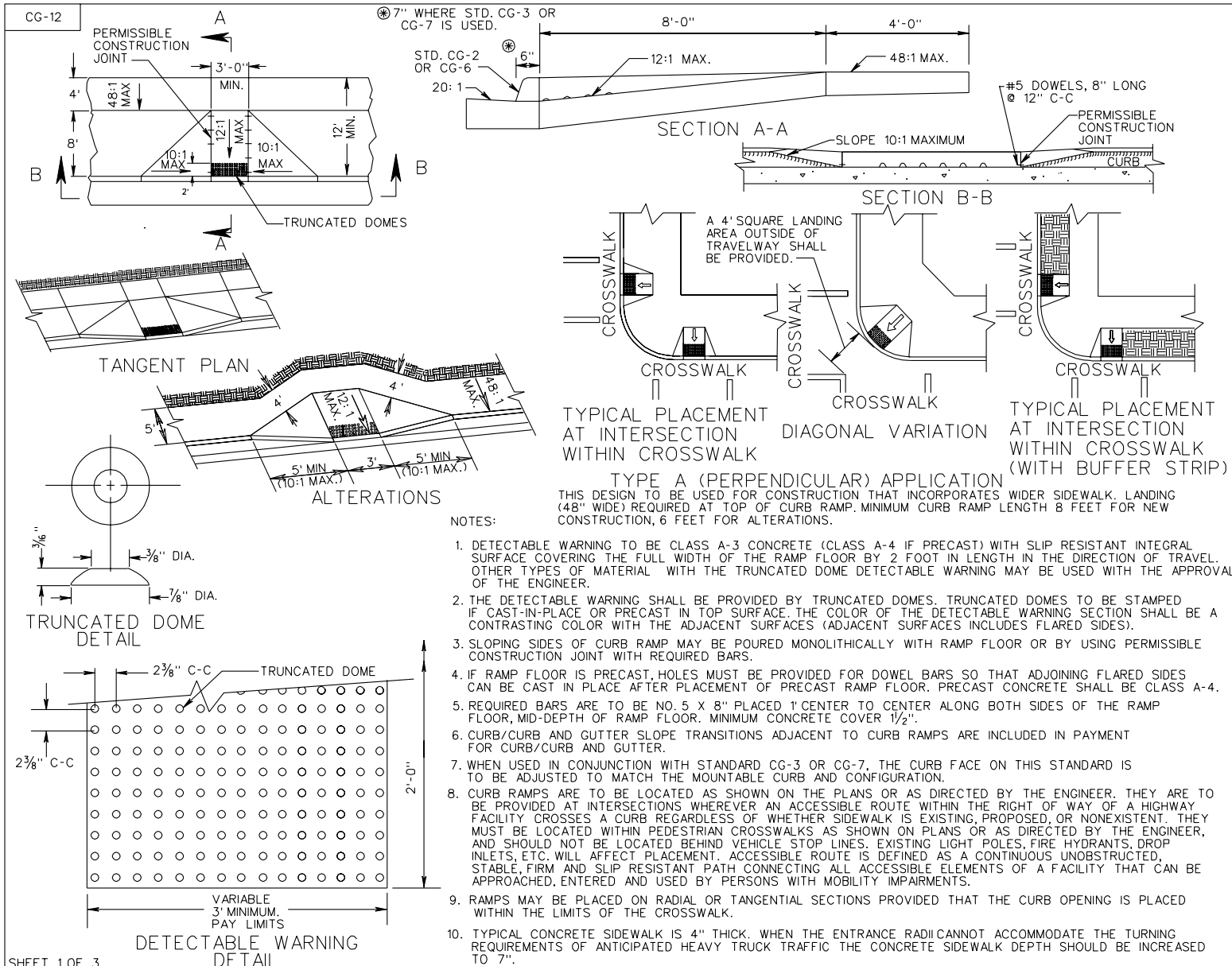


REVISED ON 1/04 REVISED ON 7/05



SHEET 1 OF 3

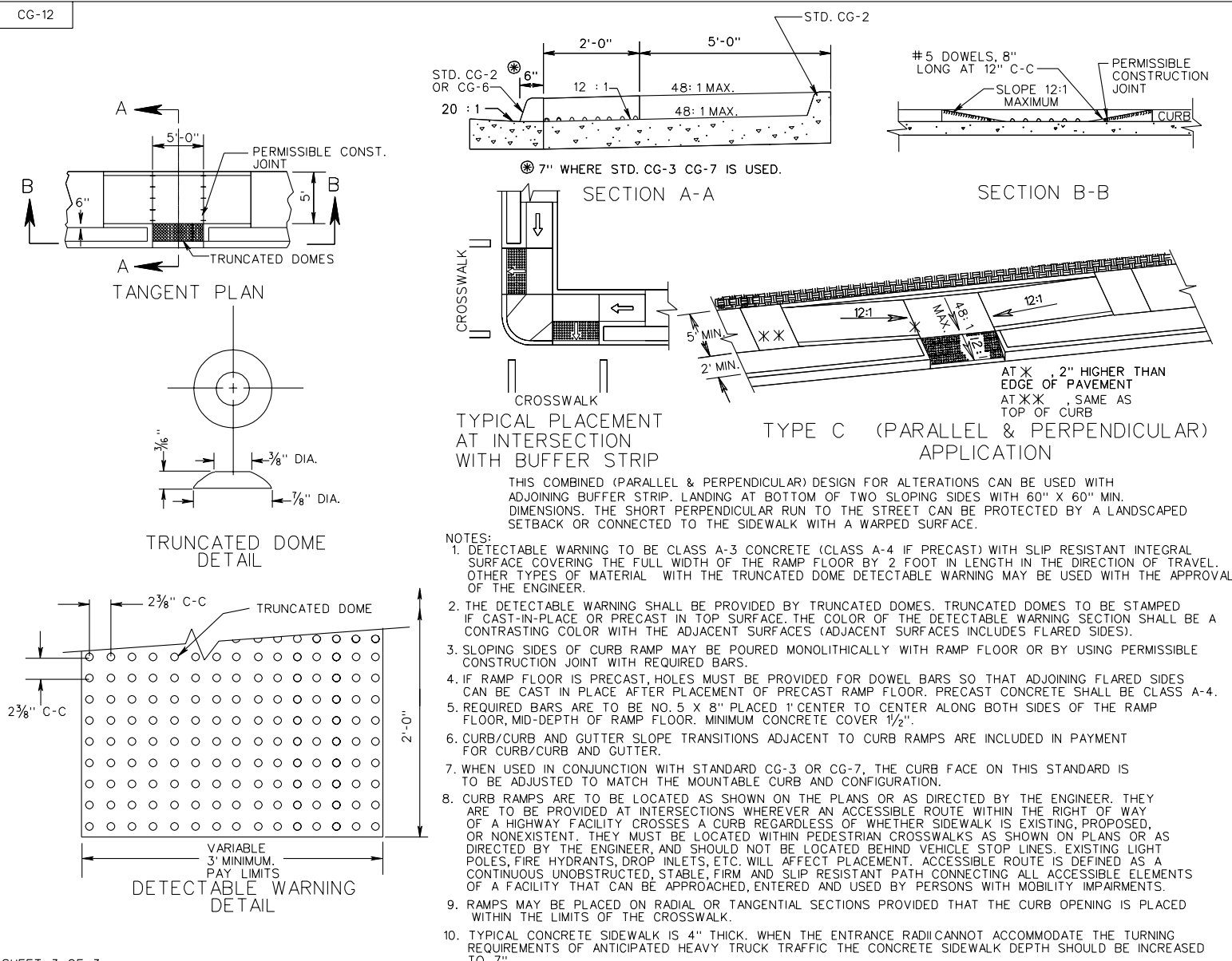
CG-12 DETECTABLE WARNING SURFACE
TYPE A (PERPENDICULAR) APPLICATION

VIRGINIA DEPARTMENT OF TRANSPORTATION

REV. 3/03
203.05

SPECIFICATION
REFERENCE

105
502



SHEET 3 OF 3

CG-12 DETECTABLE WARNING SURFACE
 TYPE C (PARALLEL & PERPENDICULAR) APPLICATION
 VIRGINIA DEPARTMENT OF TRANSPORTATION

REV. 3/03
 203.07

SPECIFICATION REFERENCE
105 502